

# INSTALLATION INSTRUCTIONS

VEHICLE

PONTIAC GRAND AM - ALL MODELS  
OLDSMOBILE ALERO

EQUIPMENT REQUIRED:

WIRING ACCESS LOCATION: PC3, PC4

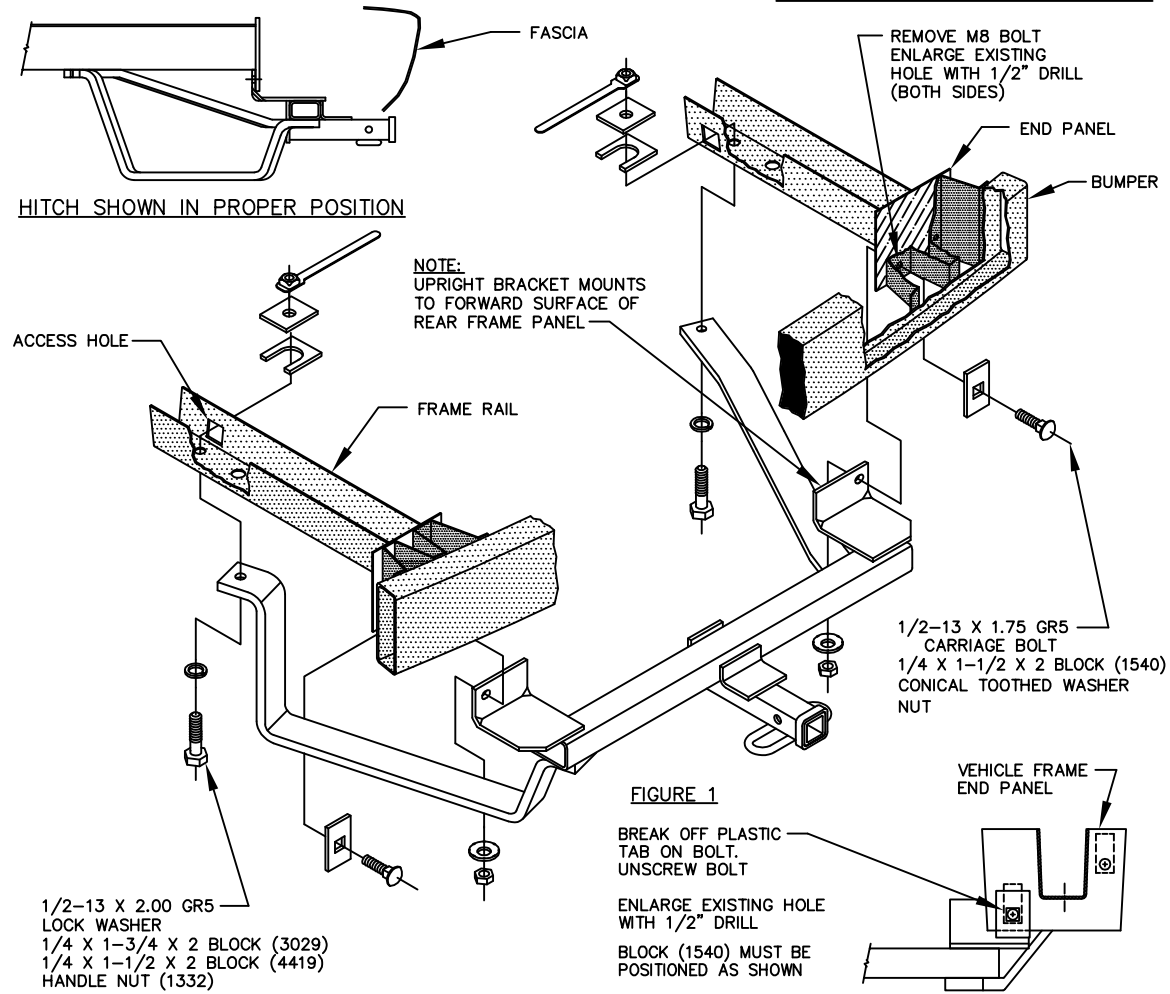
DRILL BITS: 1/2"

HITCH REQUIRES 1/2" PIN AND CLIP.

WRENCHES: (TIGHTEN ALL FASTENERS WITH TORQUE WRENCH) 13mm, 3/4, 7/8

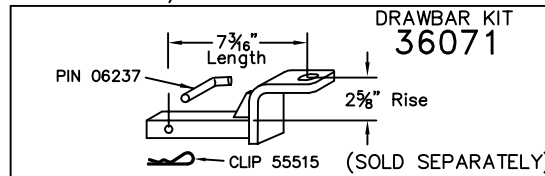
3500 LB MAX GROSS TRAILER WT  
300 LB MAX TONGUE WEIGHT  
DO NOT EXCEED TOWING VEHICLE RATINGS

NOTE: FASTENERS TYP. BOTH SIDES



1. REMOVE EXISTING 8mm BUMPER BOLT LOCATED ON THE INBOARD SIDE OF FRAME END PANEL (BOTH SIDES).  
**HINT:** BREAK OFF PLASTIC TAB AND UNSCREW BOLT FROM FRAME.
2. ENLARGE EXISTING HOLES WITH A 1/2" DRILL BIT. (SEE FIGURE 2)
3. RAISE HITCH INTO POSITION, ALIGNING HITCH WITH HOLES IN VEHICLE END PANEL AND HOLES IN BOTTOM OF FRAME RAIL.
4. INSTALL CARRIAGE BOLT AND BLOCK (1540) THRU HOLES IN END PANEL AND HITCH UPRIGHT BRACKET AS SHOWN ABOVE.
5. PLACE BLOCKS (3029) AND (4419) INSIDE FRAME RAIL THRU ACCESS HOLE AS SHOWN. THE 'C' SHAPED BLOCK (3029) GOES NEXT TO FRAME.
6. HOLD HANDLE NUT IN POSITION ABOVE BLOCKS INSIDE FRAME RAIL AND INSTALL HEX BOLT AND LOCK WASHER AS SHOWN.  
**NOTE:** BE SURE TO KEEP 'C' SHAPED BLOCK (3029) CENTERED AROUND HOLE INSIDE FRAME RAIL.

TIGHTEN ALL 1/2 HANDLE NUT (1332) TO 50 LB-FT.  
TIGHTEN ALL 1/2 GR5 FASTENERS TO 75 LB-FT.



USE ONLY THE DRAWBAR SHOWN FOR CORRECT BUMPER CLEARANCE AND HEIGHT.  
DRAWBAR MUST BE USED IN THE RISE POSITION ONLY.

THIS PRODUCT COMPLIES WITH SAFETY SPECIFICATIONS AND REQUIREMENTS FOR CONNECTING DEVICES AND TOWING SYSTEMS OF THE STATE OF NEW YORK, V.E.S.C. REGULATION V-5 AND SAE J684.

APPROX WEIGHT (LB.)	FASTENER KIT
37	K36288

NOTE: Check hitch frequently, making sure all fasteners and ball are properly tightened. If hitch is removed, plug all holes in trunk pan or other body panels to prevent entry of water and exhaust fumes. A hitch or ball which has been damaged should be removed and replaced. Observe safety precautions when working beneath a vehicle and wear eye protection. Follow car maker's specs for maximum trailer weight and tongue weight. Do not cut access or attachment holes with a torch.

**TOWING PRODUCTS**  
Plymouth, Michigan

MADE IN MEXICO