

# INSTALLATION INSTRUCTIONS

## EQUIPMENT REQUIRED:

WIRING ACCESS LOCATION: SUV3

DRILL BITS: 1/2"

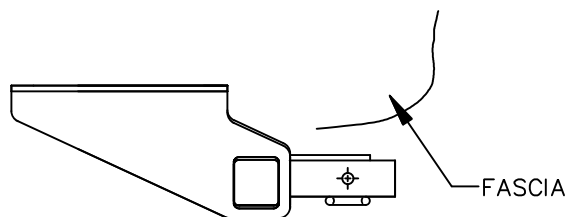
HITCH REQUIRES 1/2" PIN & CLIP

WRENCHES: (TIGHTEN ALL FASTENERS WITH TORQUE WRENCH) 14mm, 3/4"

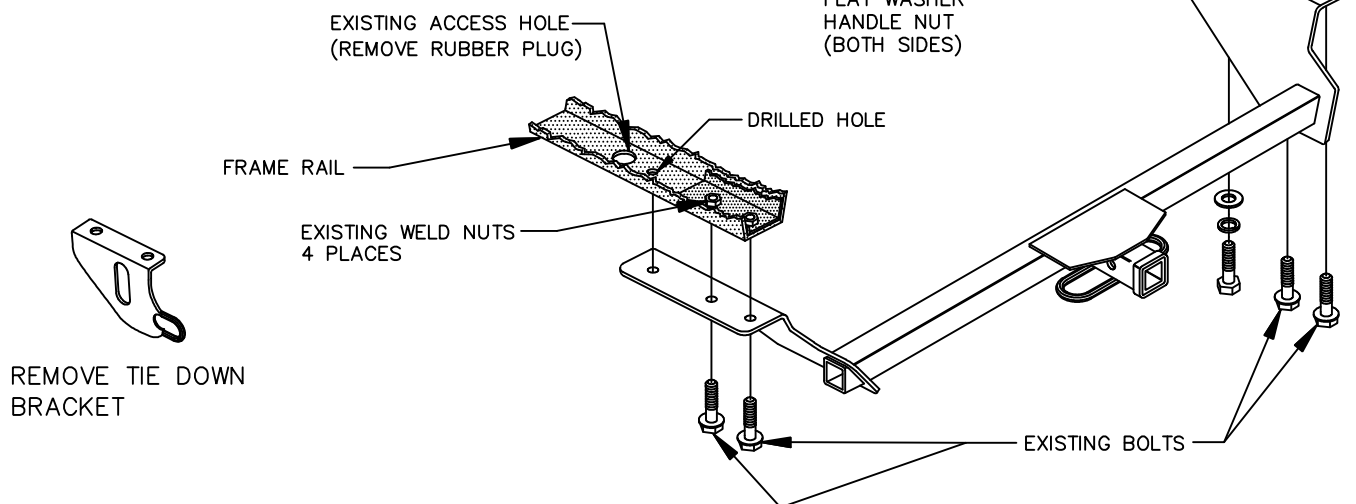
VEHICLE

HONDA ODYSSEY  
ISUZU OASIS

3500 LB MAX GROSS TRAILER WT  
300 LB MAX TONGUE WEIGHT  
DO NOT EXCEED TOWING VEHICLE RATINGS



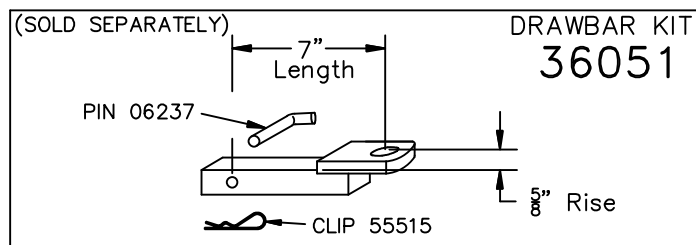
HITCH SHOWN IN PROPER POSITION



1. LOWER VEHICLE EXHAUST.
2. REMOVE TIE-DOWN BRACKET FROM DRIVER'S SIDE FRAME RAIL AND RETURN TO VEHICLE OWNER.
3. REMOVE TWO EXISTING REAR BOLTS ON PASSENGER SIDE FRAME RAIL.
4. RAISE HITCH INTO POSITION, REINSTALL WITH BOLTS REMOVED IN STEPS 2 & 3.
5. USING HITCH AS A TEMPLATE DRILL 1/2" HOLE IN FRAME RAILS.
6. REMOVE RUBBER PLUG FROM EXISTING FRAME RAIL ACCESS HOLE, INSTALL FASTENERS AS SHOWN ABOVE.
7. REATTACH VEHICLE EXHAUST.

TIGHTEN M12 CL8.8 FASTENERS TO 68 LB.-FT.

TIGHTEN 1/2 GR5 FASTENERS TO 75 LB.-FT.



USE ONLY THE DRAWBAR SHOWN FOR CORRECT BUMPER CLEARANCE AND HEIGHT.  
DRAWBAR MUST BE USED IN THE RISE POSITION ONLY.

THIS PRODUCT COMPLIES WITH SAFETY SPECIFICATIONS AND REQUIREMENTS FOR CONNECTING DEVICES AND TOWING SYSTEMS OF THE STATE OF NEW YORK, V.E.S.C. REGULATION V-5 AND SAE J684.

APPROX WEIGHT (LB.)	FASTENER KIT
28	01130-922

NOTE: Check hitch frequently, making sure all fasteners and ball are properly tightened. If hitch is removed, plug all holes in trunk pan or other body panels to prevent entry of water and exhaust fumes. A hitch or ball which has been damaged should be removed and replaced. Observe safety precautions when working beneath a vehicle and wear eye protection. Follow car maker's specs for maximum trailer weight and tongue weight. Do not cut access or attachment holes with a torch.

Cequent Performance Products  
Plymouth, Michigan

PRINTED IN MEXICO