

Installation Instructions

GOOSENECK MOUNTING KIT

Toyota Tundra

Part Numbers:

4436

Equipment Required:

Fastener Kit: 4436F

Wrenches: 10mm, 12mm, 3/4", 7/8", 15/16"

Drill Bits: 1/4"

Other Tools: Drill

WARNING: Do not store hitch ball upside down in head. Brake lines could be damaged. Install Ball Blocker Plate as shown.

WARNING: Under no circumstances do we recommend exceeding the towing vehicle manufacturers recommended vehicle towing capacity.

9465/9475 Hide-A-Goose Installation

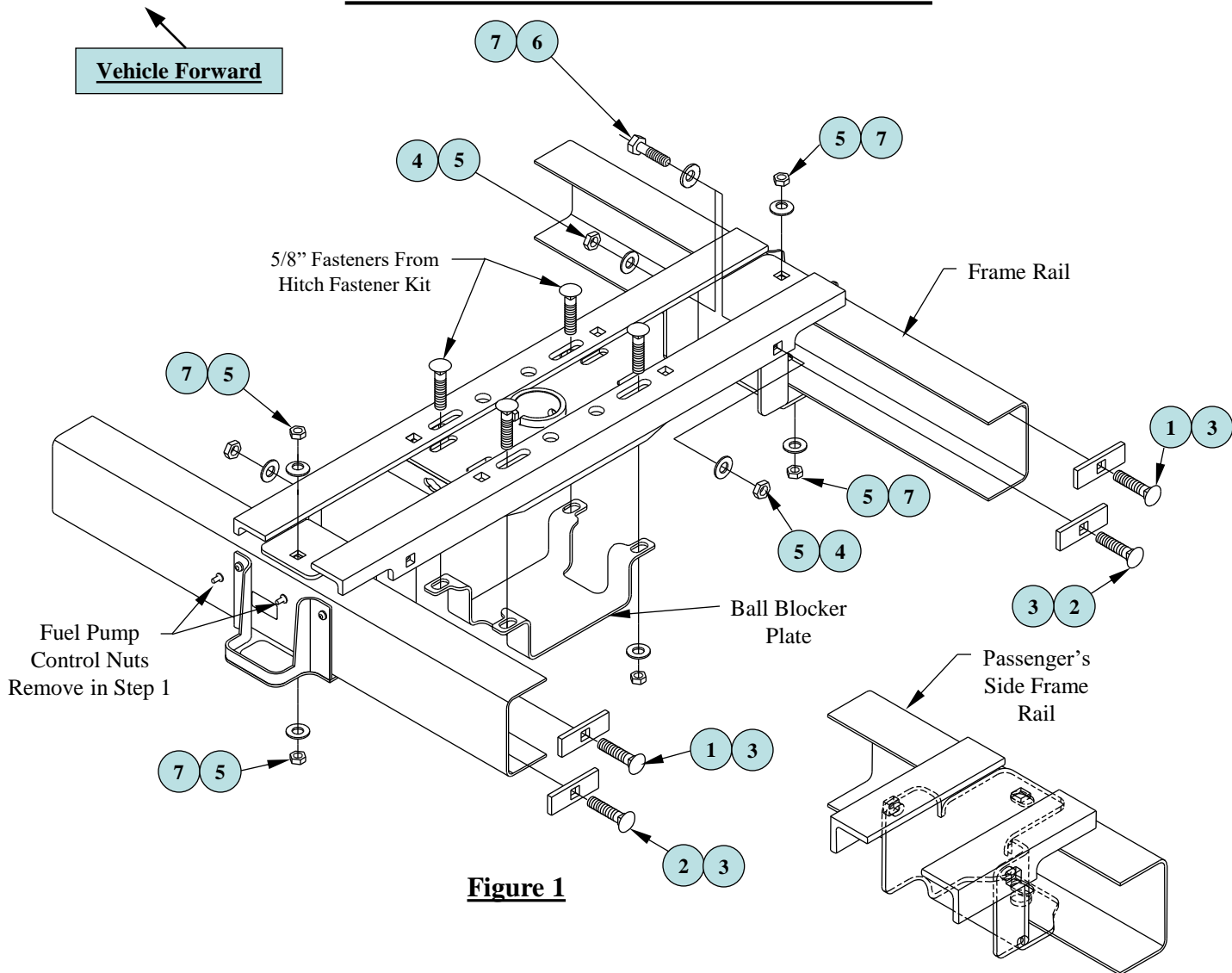


Figure 1

Figure 2

1	Qty. (2)	Carriage Bolt, 1/2-13 X 1.50 Gr5	5	Qty. (8)	Hex Nut, 1/2
2	Qty. (2)	Carriage Bolt, 1/2 -13 X 1.75 Gr5	6	Qty. (4)	Hex Bolt, 1/2-13 X 2.00 Gr5
3	Qty. (4)	Block, 1/4 X 1.00 X 3.00	7	Qty. (8)	Conical Toothed Washer, 1/2
4	Qty. (4)	Flat Washer, 1/2			

Installation Instructions

GOOSENECK MOUNTING KIT

Part Numbers:

4436

Toyota Tundra

NOTES:

- This instruction refers to installing the 9465 or 9475 head only.
- Always make sure the ball is fully locked before towing.
- Keep the ball and ball sleeve well lubricated.
- Periodically re-torque all the hitch fasteners.
- Check ball, hitch coupler, safety chains and other connections for proper operation every time you tow.

Warning:

- ❖ The tow vehicle manufacturers recommended towing capacities should **UNDER NO CIRCUMSTANCES** be exceeded.
- ❖ Check for adequate clearance between the gooseneck trailer and the rear of the cab and the rear of the truck box before installing hitch.
- ❖ All trucks have fuel lines, brake lines and electrical wiring located along the vehicle frame where the rail kit installs. Carefully examine the location of fuel lines, brake lines and electrical wires before installation and be certain not to damage these when positioning the hitch components. Be careful when drilling holes, cutting sheet metal and tightening fasteners as to not limit the integrity of these systems.

Hide-A-Goose Only – Drilled hole in bed location (see step 11).

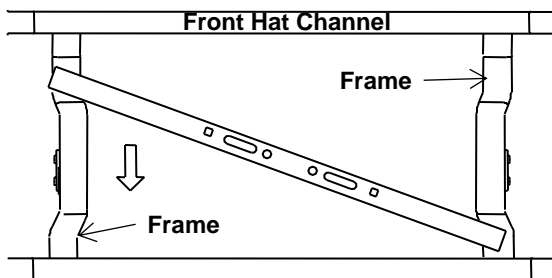
Short Box – 41-1/2 inches

Long Box – 41-1/2 inches

Installation Instructions

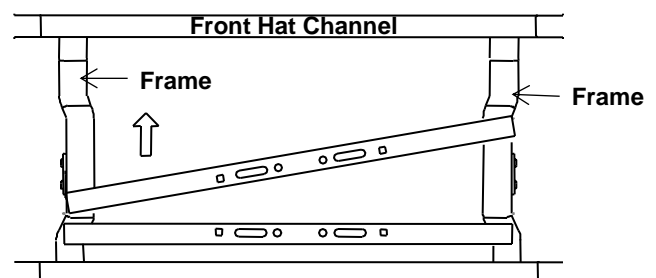
1. Temporarily remove the (2) nuts on the outside of the driver's side frame rail using a 12mm socket, holding the fuel pump control to the inside of the vehicle frame.
2. Permanently remove heat shield above the exhaust using a 10mm socket.
3. Lower the vehicle exhaust by temporarily removing the front and rear exhaust hangers.
4. Remove the plastic clip holding the vehicle wiring harness to the top of the passenger's side frame rail.
5. Place 5/8" Gr8 carriage bolts from the Hide-A-Goose fastener kit into the mounting slots on the forward and rearward cross members from the top pointing towards the ground (the forward and rearward cross members are the same).
6. From underneath the vehicle, install the **rear** hitch cross member by placing one end above the vehicle frame and maneuvering the notched section of the opposite end above the vehicle frame. Temporarily position the hitch cross member against the rear hat channel of the vehicle.
7. From underneath the vehicle install the **forward** hitch cross member by placing the passenger's side notched end above the vehicle frame and maneuvering the opposite notched end into position.

Top view of truck, bed not shown



Rear Cross Member Installation

Forward and rearward cross members are the same.



Forward Cross Member Installation

8. Place hitch side brackets into position from the inside of the vehicle frame with the frame attachment flanges pointing outwards around the frame (see Figure 2).
9. Loosely install the side bracket fasteners attaching the side bracket to the frame.
10. Position the square holes on the vertical legs of the hitch cross members with the slots in the hitch side brackets. Loosely install the fasteners attaching the side brackets to the hitch cross members.
11. When installing the Hide-A-Goose hitch, a hole must be drilled in the bed of the truck. Mark and drill a 1/4 inch hole **41-1/2 inches (short box) / 41-1/2 inches (long box)** from the rear of the bed and centered between the wheel wells. Using a hole saw, enlarge the pilot hole to the final diameter. Refer to the 9465/9475 Hide-A-Goose hitch instruction sheet for hole size.
12. Loosely install the Hide-A-Goose hitch and ball blocker plate (Refer to 9465/9475 Hide-A-Goose hitch instruction sheet for fastener information).
13. After fully installing the Hide-A-Goose hitch and 4436 mounting kit, carefully align the hitch ball sleeve with the drilled opening. Torque all 1/2-13 Gr5 fasteners to 75 ft.-lb (102 N-m). Use the following sequence: a) torque the frame brackets to the frame of the vehicle, b) torque the cross members to the frame brackets c) torque Hide-A-Goose hitch to cross members.
14. Re-attach the vehicle exhaust.
15. Re-attach the fuel pump control, removed in installation step 1.

LIMITED LIFETIME WARRANTY

Part No: _____

Date of Original Purchase: _____

Original Owner: _____

Original Installer: _____

1. Limited Lifetime Warranty ("Warranty"). Cequent Performance Products, Inc. ("We" or "Us") warrants to the original consumer purchaser only ("You") that the product will be free from material defects in both material and workmanship, ordinary wear and tear excepted; provided that installation and use of the product is in accordance with product instructions. There are no other warranties, express or implied, including the warranty of merchantability or fitness for a particular purpose. This warranty is not transferable.
2. Limitations on the Warranty. This Warranty does not cover: (a) normal wear and tear; (b) damage through abuse, neglect, misuse, or as a result of any accident or in any other manner; (c) damage from misapplication, overloading, or improper installation; (d) improper maintenance and repair; and (e) product alteration in any manner by anyone other than Us, with the sole exception of alterations made pursuant to product instructions and in a workmanlike manner.
3. Obligations of Purchaser. To make a Warranty claim, contact Us, at our principal address of 47912 Halyard Dr. Suite 100, Plymouth, MI 48170, 1-888-521-0510, identify the product by model number, and follow the claim instructions that will be provided. Any returned product that is replaced by Us becomes our property. You will be responsible for return shipping costs. Please retain your purchase receipt to verify date of purchase and that You are the original consumer purchaser. The product and the purchase receipt must be provided to Us in order to process Your Warranty claim.
4. Remedy Limits. Product replacement is Your sole remedy under this Warranty. We shall not be liable for service or labor charges incurred in removing or replacing a product or any incidental or consequential damages of any kind.
5. Assumption of Risk. You acknowledge and agree that any use of the product for any purpose other than the specified use(s) stated in the product instructions is at Your own risk.
6. Governing Law. This Warranty gives You specific legal rights, and You also may have other rights which vary from state to state. This Warranty is governed by the laws of the State of Michigan, without regard to rules pertaining to conflicts of law. The state courts located in Oakland County, Michigan shall have exclusive jurisdiction for any disputes relating to this Warranty.

Hide-A-Goose

Part Numbers:
9488/9475

Installation Instructions

**Do Not Exceed Lower of Towing Vehicle
Manufacturer's Rating or**

**30,000 LB (13620 Kg) Max Gross Trailer Weight (GTW)
7,500 LB (3405 Kg) Max Tongue Weight (TW)**

Equipment Required:

Fastener Kit: 58320 and 58564

Wrenches: 15/16"

Drill Bits: 3/16", 5/8", 3 1/2" Hole Saw

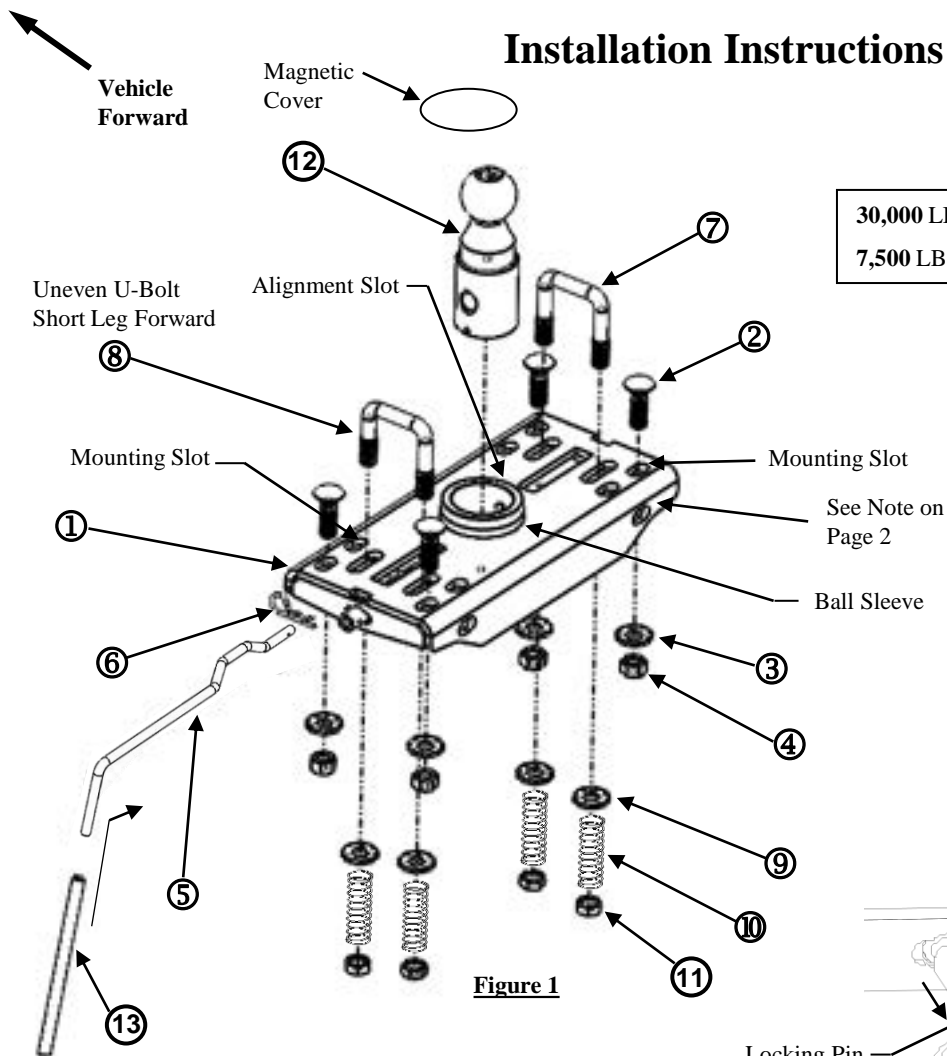


Figure 1

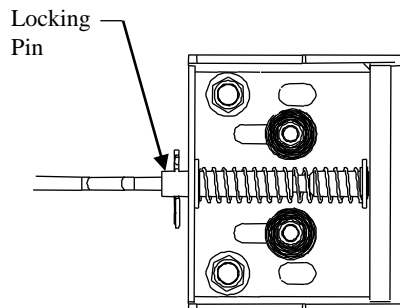


Figure 2

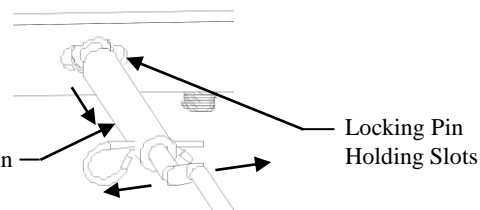


Figure 3

A brand label, *Draw-Tite*, is supplied with this hitch. After installing mounting kit to truck frame, peel and apply this label to surface of frame bracket.

IMPORTANT!

This product is intended to be used with Horizon Global manufactured mounting kits. If the Gooseneck hitch installation is made with Horizon Global manufactured mounting kits, the installation instructions for the Gooseneck hitch are included as part of the mounting kit installation instructions. Give this installation instruction to vehicle owner after installation is complete.

General instructions for fabricated support structures.

IF HORIZON GLOBAL MANUFACTURED MOUNTING KITS ARE NOT USED, THIS PRODUCT BECOMES A GENERAL APPLICATION PRODUCT. IT IS THE RESPONSIBILITY OF THE INSTALLER TO SELECT STRUCTURALLY SAFE MATERIALS AND LOCATIONS FOR ATTACHMENT. INSTALLATION INFORMATION FOLLOWS.

①	Qty. (1)	Head	⑧	Qty. (1)	5/8" Uneven U-Bolt, 2-1/2" and 3" Legs
②	Qty. (4)	5/8" -11 X 2.00 Grade 8 Carriage Bolt	⑨	Qty. (4)	Conical Toothed Washer
③	Qty. (4)	Conical Toothed Washer	⑩	Qty. (4)	U-Bolt Spring
④	Qty. (4)	5/8"-11 Hex Nut	⑪	Qty. (4)	5/8"-18 Lock Nut
⑤	Qty. (1)	Handle	⑫	Qty. (1)	2-5/16" Ball
⑥	Qty. (1)	Spring Clip	⑬	Qty. (1)	Vinyl Handle
⑦	Qty. (1)	5/8" U-Bolt, 3" Legs			

Tighten all 5/8 grade 8 fasteners (exclude U-bolt fasteners) with torque wrench to 210 Lb.-Ft. (285 N*M)

Note: check hitch frequently, making sure all fasteners and ball are properly tightened. If hitch is removed, plug all holes in trunk pan or other body panels to prevent entry of water and exhaust fumes. A hitch or ball which has been damaged should be removed and replaced. Observe safety precautions when working beneath a vehicle and wear eye protection. Do not cut access or attachment holes with a torch.

Installation Instructions

Part Numbers:
9488/9475

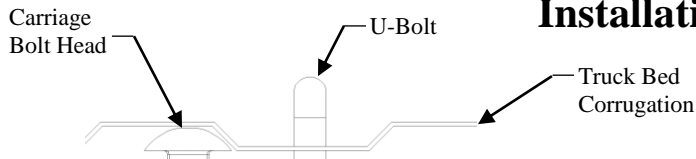


Figure 6

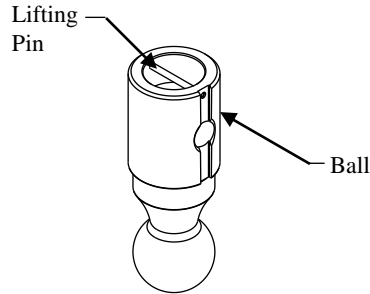


Figure 5

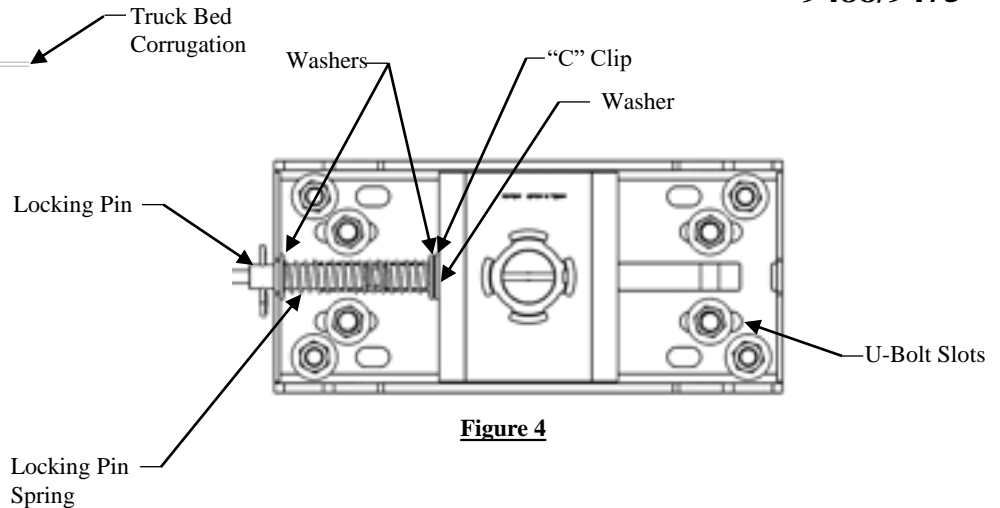


Figure 4

- The following guidelines must be followed before installation begins:
 - The hitch ball must be located along the truck's fore/aft centerline.
 - The hitch ball centerline must be located above and forward of the rear axle of the truck.
 - Adequate clearance must be provided between the gooseneck trailer and the rear of the vehicle so that the gooseneck trailer does not contact any part of the truck during turning.
 - Adequate clearance must be provided between the forward corners of the gooseneck trailer and the cab of the truck.
 - Determine that the ball position and under vehicle supports do not interfere with any vehicle cross members, brake lines, electrical wiring, cables, fuel lines or vents.
 - Install under bed supports with (4) vertical 5/8" bolts in rails.
 - With hitch ball center marked on the truck, center punch and drill 3/16" pilot hole, recheck all clearances, then open the 3/16" hole with a 3 1/2" hole saw. File edges as needed.
 - Lift head into position.
 - Use the 5/8" conical toothed washers and hex nuts to install the head. Do not tighten completely at this time.
 - Align ball sleeve on head, with the 3-1/2" hole in bed and tighten 5/8" fasteners.
 - Using the U-Bolt slots as a guide, drill four 5/8" holes in the bed. These holes must be in a lower bed corrugations to limit the amount of U-bolt showing above the bed (see figure 6).
 - Touch up the drilled holes with paint.
 - Install the U-Bolts from the inside of the bed (see figure 2).
- NOTE: On Chevy/GMC 2500/3500 trucks, install the U-Bolt with the uneven legs on the driver's side with the short leg forward to allow extra room for fuel tank and components.**
- From under the truck, install the conical toothed washers, U-Bolt springs, and 5/8" lock nuts (see figure 1 and 2). Before tightening lock nuts, lift U-bolts up and down to assure smooth operation. If not, then enlarge holes, as necessary. Tighten nuts so a minimum of 3 threads are showing passed the nuts.
 - With the ball in the stored position (see figure 5). Check for clearance between ball and truck equipment (I.E. differential, brake lines, electrical lines, and others) by measuring from axle up to rubber bumper stop and from ball to nearest item. If insufficient space is present, inform customer not to store ball in the head when carrying heavy loads. The axle to the rubber bumper stop distance should be less than the ball to nearest item.
- NOTE: If not installing head on Horizon Global manufactured mounting kit, secure the hitch to your mounting system using the four holes in the front and back of the hitch and four 5/8" (grade 8) bolts (not provided). See figure 1. This is in addition to the four vertical bolts provided in the kit and will allow you to obtain the maximum head rating of 30,000 lbs. GTW / 7,500 TW lb.**

AFTER SYSTEM INSTALLATION AND BEFORE TOWING:

Connect trailer to the tow vehicle following coupler manufacturer's operating instructions. The coupler must be adjusted to provide about 6" of clearance between the bottom of the trailer nose and the top of the pickup bed sides. Slowly back the trailer to a jackknifed position to the tow vehicle while checking to see there is adequate clearance between the gooseneck trailer and the rear of the vehicle. Also check to see there is adequate clearance between the forward corners of the gooseneck trailer and the cab of the truck. Slowly jackknife the truck and trailer in the opposite direction and check the clearances to the end of the truck and the cab.

GOOSENECK MAINTENANCE

Use magnetic cover to keep assembly free of dirt and debris. Lubricate hitch ball monthly or as needed with heavy grease. Lubricate ball tube with heavy grease when ball is installed and/or removed. Lubricate locking pin monthly or as needed with spray-on penetrating oil. Check bolt torque monthly. Check equipment before towing for worn or damaged parts. **REPLACE WORN OR DAMAGED PARTS IMMEDIATELY.**