

Front Mounted Receiver Installation Instructions

Part Numbers:
65057

Dodge 2500 4x4 Models

Hitch Shown In Proper Position

Equipment Required: Bolt leader (Provided)

Fastener Kit: 65057F

Wrenches: 18MM DEEP WELL, 7/8"

Drill Bits: NONE

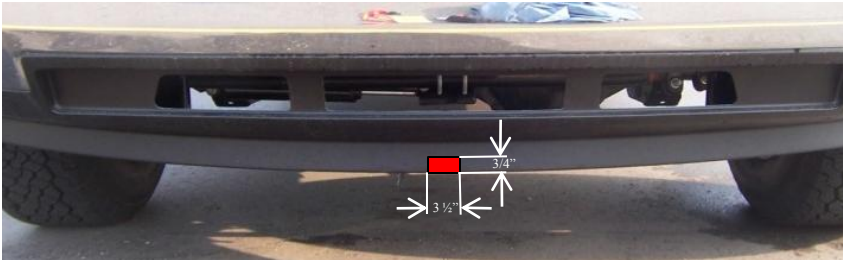
Other Tools: Tape, Cutting tool for hard

Plastic fascia.

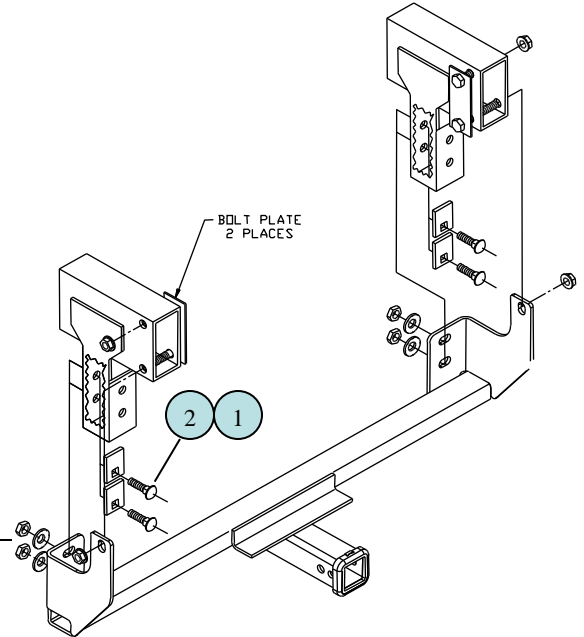
**CARGO CAPACITY – Do not exceed
500 LB. or Truck Front
Gross Axle Weight Rating, (GAWR).**

9,000lb.

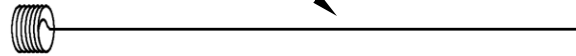
MAXIMUM WINCH LINE PULL



TRIM FACIA AS SHOWN



5 This is a magnified view of a Bolt Leader



①	Qty. (4)	Carriage Bolt, 1/2" -13 x 1 1/2" Gr5	②	Qty. (4)	Block 1/4" x 1-1/2" x 2
③	Qty. (4)	Conical Washer, 1/2"	④	Qty. (4)	Hex Nut, 1/2"

- It is necessary to trim a section out of the plastic air dam attached to bottom of bumper. See Picture above.
CONSULT VEHICLE OWNER BEFORE TRIMMING OR CUTTING PLASTIC AIR DAM.
- Locate and remove the 18mm flange nuts on outside of truck frame rails, slide the bolt plate back into frame but do not remove.
CAUTION: DO NOT completely remove bolt plate, if removed bumper will drop and may result in injury.
- Raise hitch into position, slide bolts plates back thru frame and into hitch side brackets. Loosely install nuts removed in Step 2.
- Use 1/2" bolt leaders to pull 1/2" carriage bolts and spacer blocks thru the frame slots and through the hitch as shown. Square shoulders of bolts must be pulled into blocks to engage with the sides of frame. Check to see that carriage bolt is engaged in block holes. Install conical washers and hex nuts as shown.
- Tighten flange nuts and torque all hardware to the specs specified below.

Tighten all 1/2" fasteners with torque wrench to 75 Lb.-Ft.

Tighten all 18mm fasteners with torque wrench to 92 Lb.-Ft.

Note: check hitch frequently, making sure all fasteners and ball are properly tightened. If hitch is removed, plug all holes in trunk pan or other body panels to prevent entry of water and exhaust fumes. A hitch or ball which has been damaged should be removed and replaced. Observe safety precautions when working beneath a vehicle and wear eye protection. Do not cut access or attachment holes with a torch.

This product complies with safety specifications and requirements for connecting devices and towing systems of the state of New York, V.E.S.C. Regulation V-5 and SAE J684.