

INSTALLATION INSTRUCTIONS

VEHICLE
 FORD ESCORT 4 DR SEDAN
 FORD ESCORT ZX2
 MERCURY TRACER 4 DR SEDAN

2000 LB MAX GROSS TRAILER WT
 200 LB MAX TONGUE WEIGHT
 DO NOT EXCEED TOWING VEHICLE RATINGS

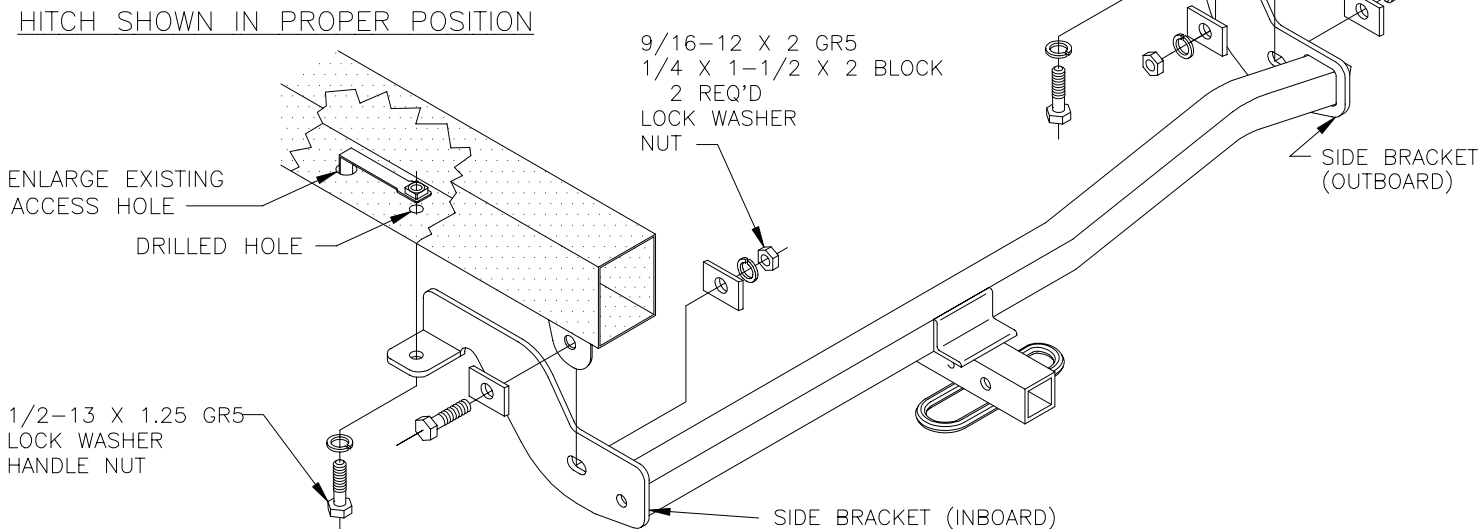
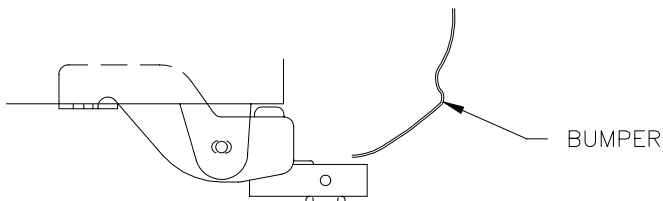
EQUIPMENT REQUIRED:

WIRING ACCESS LOCATION: SUV1, SUV2

DRILL BITS: 1/2"

HITCH REQUIRES 1/2" PIN AND CLIP

WRENCHES: (TIGHTEN ALL FASTENERS WITH TORQUE WRENCH) 8mm, 10mm
 3/4", 11/16", 13/16"



1. SLIDE THE TWO (2) RUBBER EXHAUST HANGERS OFF OF EXHAUST HANGER HOOKS.
2. LOWER THE EXHAUST HEAT SHIELD TO LOCATE ACCESS HOLE IN FRAME RAIL. REMOVE TAPE COVERING ACCESS HOLES AND ENLARGE TO PROVIDE ACCESS FOR HANDLE NUT.
3. REMOVE THE BOLT RETAINING THE CARBON CANISTER HOSES ON THE DRIVER'S SIDE FRAME RAIL.
4. RAISE HITCH INTO POSITION AND LOOSELY INSTALL THE REARWARD FASTENERS.
 NOTE: DRIVER'S SIDE BRACKET IS POSITIONED INBOARD OF TOW HOOK, PASSENGER'S SIDE BRACKET IS POSITIONED OUTBOARD OF TOW HOOK.
5. USING HITCH AS A TEMPLATE, DRILL A 1/2" HOLE IN EACH FRAME RAIL.
6. INSTALL REMAINING FASTENERS AS SHOWN ABOVE.
7. REATTACH EXHAUST HEAT SHIELD, RUBBER EXHAUST HANGERS AND CARBON CANISTER HOSES.

TIGHTEN ALL 1/2 GR5 FASTENERS TO 50 LB-FT.
 TIGHTEN ALL 9/16 GR5 FASTENERS TO 110 LB-FT.

STANDARD DRAWBAR	OPTIONAL DRAWBAR (SOLD SEPERATELY) FOR ZX2 MODELS ONLY
<p>DRAWBAR KIT 3592</p>	<p>DRAWBAR KIT 3593</p>

USE ONLY THE DRAWBAR SHOWN FOR CORRECT BUMPER CLEARANCE AND HEIGHT.
 DRAWBAR MUST BE USED IN THE RISE POSITION ONLY.

THIS PRODUCT COMPLIES WITH SAFETY SPECIFICATIONS AND REQUIREMENTS FOR CONNECTING DEVICES AND TOWING SYSTEMS OF THE STATE OF NEW YORK, V.E.S.C. REGULATION V-5 AND SAE J684.

APPROX WEIGHT (LB.)	FASTENER KIT
20	01131-008

NOTE: Check hitch frequently, making sure all fasteners and ball are properly tightened. If hitch is removed, plug all holes in trunk pan or other body panels to prevent entry of water and exhaust fumes. A hitch or ball which has been damaged should be removed and replaced. Observe safety precautions when working beneath vehicle and wear eye protection. Follow car maker's specs for maximum trailer weight and tongue weight. Do not cut access or attachment holes with a torch.

TOWING PRODUCTS
 Plymouth, Michigan