

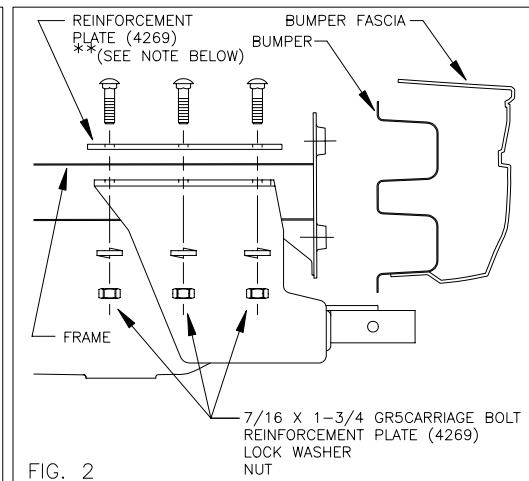
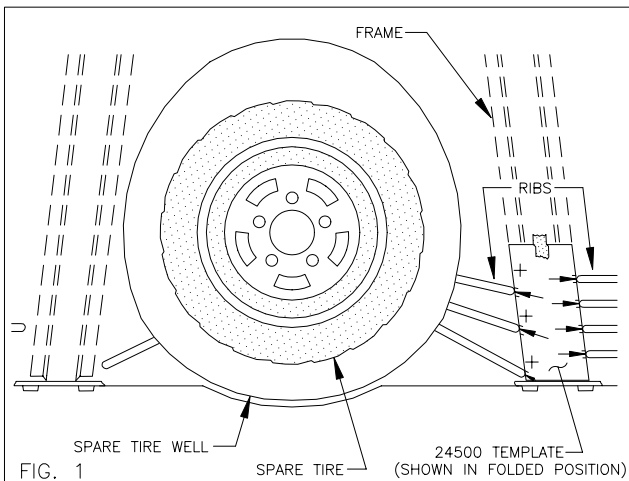
INSTALLATION INSTRUCTION

EQUIPMENT REQUIRED: TAPE, GLUE
WIRING ACCESS LOCATION: PC3, PC4
HITCH REQUIRES 1/2" PIN AND CLIP
DRILL BITS: 1/8, 7/16, 9/16

VEHICLE	HITCH NO.
BUICK REGAL	24500
CHEVROLET LUMINA COUPE & SEDAN	77001
OLDSMOBILE CUTLASS SUPREME	60835
PONTIAC GRAND PRIX	

2000 LB MAX GROSS TRAILER WT
 200 LB MAX TONGUE WEIGHT
 DO NOT EXCEED TOWING VEHICLE RATINGS

WRENCHES: (TIGHTEN ALL FASTENERS WITH TORQUE WRENCH) 10mm, 15mm, 11/16, (DEEP SOCKET)



FOR MODELS WITH DUAL MUFFLERS:
 LOWER DRIVER'S SIDE MUFFLER.

FOR PONTIAC GRAND PRIX - S.E. MODEL ONLY:

REMOVE THE TWO (2) PLASTIC TOW PADS CONNECTED TO THE BOTTOM OF THE BUMPER AND RETURN TO CUSTOMER.

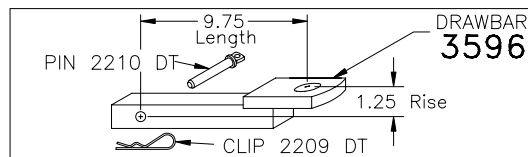
- LOWER PASSENGER'S SIDE MUFFLER. REMOVE EXHAUST SHIELD (THIS STEP PROVIDES WRENCH ACCESS).
- REMOVE THE VERTICAL PANEL AT THE REAR OF THE INSIDE OF THE TRUNK. MOVE THE CARPETING AND REMOVE THE SPARE TIRE COVER TO ALLOW ACCESS TO TRUNK PAN. IT WILL BE NECESSARY TO UNGLUE THE CARPET PAD ON PASSENGER'S SIDE.
- HOW TO USE THE "24500 TEMPLATE" (SHEET 2 OF INSTRUCTIONS):**
 - CUT OR FOLD TEMPLATE ALONG THE TWO PARALLEL DASHED LINES.
 - PLACE TEMPLATE INSIDE TRUNK ON PASSENGER'S SIDE OF SPARE TIRE WELL, SEE FIG. 1.
 - TEMPLATE SHOULD BE POSITIONED SO THAT ALL THE ARROWS LINE UP WITH THE CENTERS OF THE RIBS IN THE TRUNK PAN.
 - TAPE TEMPLATE IN PLACE ONCE ALL THE ARROWS ARE LINED UP.
- CENTER PUNCH THREE (3) PLACES AS SPECIFIED ON "24500 TEMPLATE". REMOVE TEMPLATE. DRILL THREE (3) 1/8" HOLES DOWN THROUGH TRUNK PAN AT CENTER PUNCHED LOCATIONS. CHECK HOLE ALIGNMENT UNDER VEHICLE AND ADJUST AS NECESSARY. ENLARGE HOLES TO 9/16".
NOTE: YOU MAY WISH TO TRANSFER THE "24500 TEMPLATE" TO A STIFFER MATERIAL FOR USE ON FUTURE INSTALLATIONS.
- POSITION REINFORCEMENT PLATE (4269) INSIDE TRUNK, SO THAT THE HOLES IN THE PLATE LINE UP WITH THE HOLES DRILLED IN STEP 4.
NOTE: THE ANGLED CORNER OF EACH PLATE (4269) SHOULD BE POSITIONED TOWARD THE CENTER AND REAR OF THE VEHICLE.
- POSITION HITCH ON VEHICLE AS SHOWN IN FIG. 2. INSTALL 7/16 CARRIAGE BOLTS DOWN THROUGH REINFORCEMENT PLATE (4269) AND TRUNK PAN INTO HITCH. FASTEN WITH LOCK WASHERS AND NUTS.
- POSITION DRIVER'S SIDE OF HITCH THE SAME DISTANCE FROM THE END OF THE FRAME AS THE PASSENGER'S SIDE. USING DRIVER'S SIDE OF HITCH AS A TEMPLATE, CENTER PUNCH AND DRILL THREE (3) 7/16" HOLES UP INTO TRUNK PAN. HOLES MAY BE ENLARGED FROM THE INSIDE OF THE TRUNK IF NEEDED.
- POSITION OTHER REINFORCEMENT PLATE (4269) ON DRIVER'S SIDE AS DESCRIBED IN STEP 5. INSTALL 7/16 CARRIAGE BOLTS DOWN THROUGH REINFORCEMENT PLATE (4269) AND TRUNK PAN INTO HITCH. FASTEN WITH LOCK WASHERS AND NUTS.
NOTE: SEAL ALL HOLES DRILLED IN VEHICLE TO PREVENT ENTRY OF EXHAUST FUMES INTO TRUNK.
 TIGHTEN ALL 7/16 GR5 FASTENERS TO 50 LB.-FT.
- REINSTALL THE EXHAUST SHIELD. RECONNECT THE PASSENGER'S SIDE MUFFLER.
- REGLUE CARPET PAD INSIDE TRUNK ON PASSENGER'S SIDE. REPLACE THE INSIDE TRUNK PANEL, SPARE TIRE COVER, AND CARPETING REMOVED IN STEP 2.

FOR MODELS WITH DUAL MUFFLERS:
 RECONNECT DRIVER'S SIDE MUFFLER.

FOR MODELS WITH SPECIAL TRIM PACKAGES:

MINIMAL FASCIA TRIMMING MAY BE REQUIRED TO ALLOW DRAWBAR INSTALLATION - GET CUSTOMER APPROVAL FIRST.

**** NOTE:** REINFORCEMENT PLATES (4269) MUST BE INSTALLED AS DESCRIBED ABOVE TO INSURE SAFETY.



USE ONLY THE DRAWBAR SHOWN FOR CORRECT BUMPER CLEARANCE AND HEIGHT.
 DRAWBAR MUST BE USED IN THE RISE POSITION ONLY.

THIS PRODUCT COMPLIES WITH SAFETY SPECIFICATIONS AND REQUIREMENTS FOR CONNECTING DEVICES AND TOWING SYSTEMS OF THE STATE OF NEW YORK AND V.E.S.C. REGULATION V-5.

APPROX WEIGHT (LB.)	FASTENER KIT
25.9	01130-663

NOTE: Check hitch frequently, making sure all fasteners and ball are properly tightened. If hitch is removed, plug all holes in trunk pan or other body panels to prevent entry of water and exhaust fumes. A hitch or ball which has been damaged should be removed and replaced. Observe safety precautions when working beneath a vehicle and wear eye protection. Follow car maker's specs for maximum trailer weight and tongue weight. Do not cut access or attachment holes with a torch.

TOWING PRODUCTS

TOWING PRODUCTS

24500 TEMPLATE
77001 TEMPLATE
60835 TEMPLATE

DATE: 18APR06
SHEET 2 OF 2

[CUT OR FOLD ALONG DASHED LINES]

