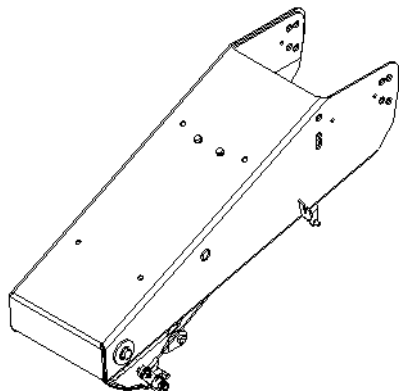


Goose Box

94623

*Packaged for Individual sale.



DEALER/INSTALLER:

(1) Provide this Manual to end user

END USER:

(1) Read and follow this Manual for Reese Goose Box Installation.

(2) Save this Manual for Future Reference.

(3) Pass on copies of Manual to any other users or owner.

**Do Not Exceed Lower of Towing Vehicle Manufacturer's Rating,
Trailer Manufacturer's Rating or**

Max Gross Trailer WT (LB)	Max Pin WT (LB)
20,000 LB	4,000 LB

Equipment Required:

Fastener Kit: 94621F

Wrenches: 15/16"

Drill Bits: Not Required

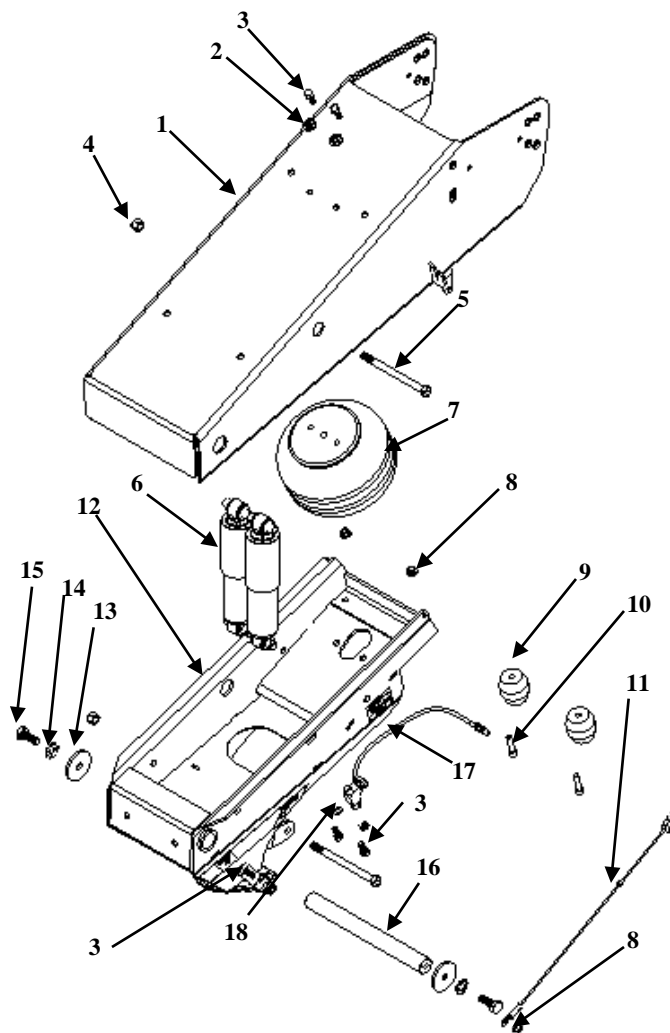
Misc. : 15/16" Socket & Torque Wrench

INDEX

1. Explosion & Parts Identified	P. 1
2. Guidelines For Matching Wing Sets	P. 2
3. Guidelines For Matching Tow Vehicle & Trailer	P. 3
4. Assembly Into Wings	P. 4
5. Hooking & UnHooking	P. 4 & 5
6. Adjusting Air Suspension	P. 6
7. Limited Lifetime Warranty	P. 7

1	Qty. 1	Upper Body Weldment
2	Qty. 2	3/8 Conical Washer
3	Qty. 5	3/8-16x1 Grd.5 Bolt
4	Qty. 2	1/2-13 NyLock Nut
5	Qty. 2	1/2-13x6.5 Grd.5 Bolt
6	Qty. 2	Shock
7	Qty. 1	Double Air Bag
8	Qty. 3	3/8-16 Flanged Lock Nut
9	Qty. 2	Hollow Rubber Springs
10	Qty. 2	3/8-16x1.5 Socket Head Bolt
11	Qty. 1	Pull Cable
12	Qty. 1	Lower Jaw Weldment
13	Qty. 2	Large Zinc Washer
14	Qty. 2	1/2 Internal/External Lock Washer
15	Qty. 2	1/2-13x1.25 Grd.5 Bolt
16	Qty. 1	Pivot Shaft
17	Qty. 1	Air Line Assy' w/Relief Valve
18	Qty. 2	3/8 Split Lock Washer

Figure 1



⚠ WARNING

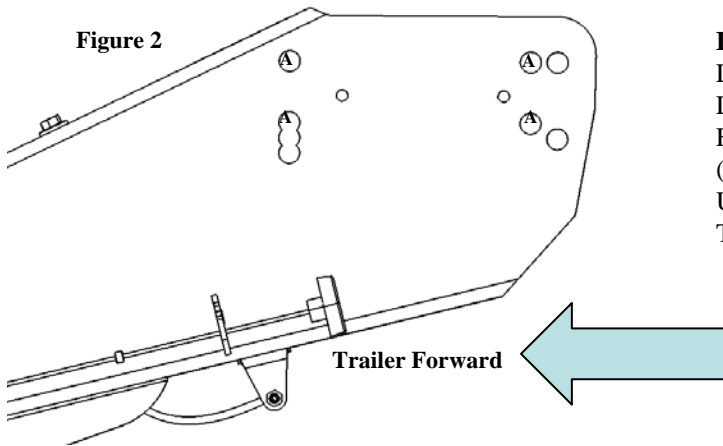
Failure to follow all of these instructions may result in death or serious injury!

Installation / Owners Manual

Goose Box

Matching Wing Sets

Figure 2

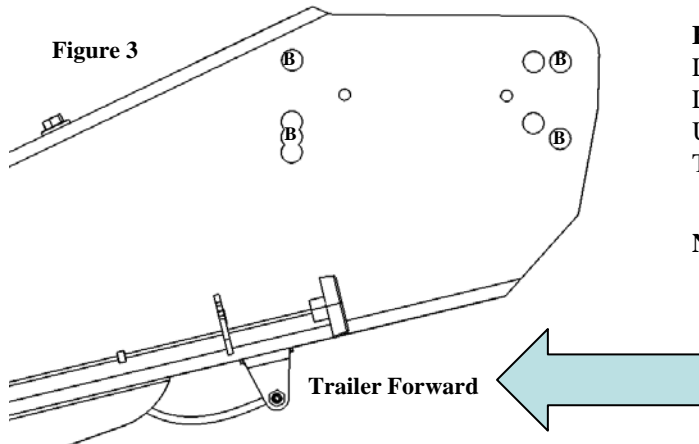


For Wing Set Make and Model Numbers:

Lippert 1621HD
 Lippert 1621SHD Check Trailer rating
 Fabex PB-600 Series Check Trailer Rating
 (Greater Than 16K Less Than 20K)
 Use The Bolt Hole Locations Noted By The "A"
 The pattern is a 7.875" horizontal & a 2" vertical

Note: It is recommended that you install the Goose Box one (1) position lower than the original pin box.

Figure 3



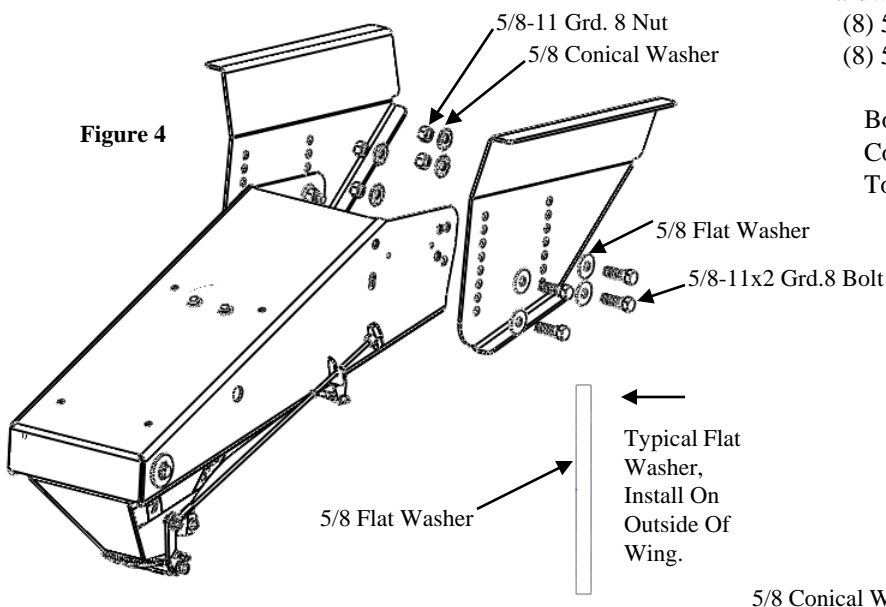
For Wing Set Make and Model Numbers:

Lippert 1116
 Lippert 0115
 Use The Bolt Hole Locations Noted By The "B"
 The pattern is a 8.75" horizontal & a 2.5" vertical

Note: Spacer Kit 61301 Is Needed For These Model Wings
 Please Refer To The Instructions In Kit 61301 For
 Installation Of The Spacer Kit.

Note: It is recommended that you install the Goose Box one (1) position lower than the original pin box.

Typical Bolting



Hardware Kit Contains: (8) 5/8-11x2 Gr.8 Bolts
 (8) 5/8-11 Gr.8 Nuts / (8) 5/8 HD Flat Washers
 (8) 5/8 Conical Lock Washers

Bolts & Flat Washers Are Installed From The Outside,
 Conical Lock Washers and Nuts On the Inside.
 Torque All To 210 ft. lbs.

Note: The Figure Shows a Typical Installation
 The Wing Is Moved Away To Better
 Show The Hardware Installation.

Installation / Owners Manual

Goose Box

GUIDELINES FOR MATCHING TOW VEHICLE AND TRAILER

⚠ WARNING:

Failure to check and follow tow ratings could result in tow vehicle damage or truck and trailer separation while towing.

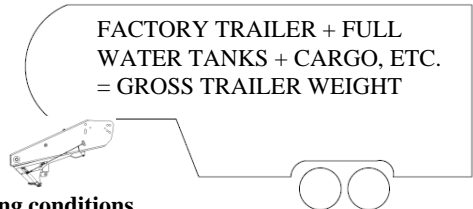
- Trailer and its contents together must not exceed truck, hitch and/or trailer tow ratings.
- Towing vehicle must have a manufacturer's rated towing capacity equal to or greater than the gross trailer weight (dry weight of the trailer plus payload of the trailer). (See Fig. 5)
- Gross weight of trailer must not exceed 20,000 pounds for this product.
- Goose Ball vertical weight must not exceed 4,000 pounds (See Fig. 6). If in doubt have Goose Ball weight measured by qualified facility.

1. Check Tow Ratings:

Vehicle Tow Rating: _____ **Figure 5**

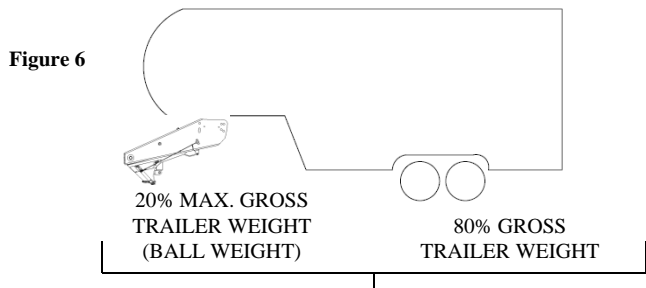
Goose Box Rating: **20,000 lbs.**

*Gross Trailer Weight (Figure 5): _____



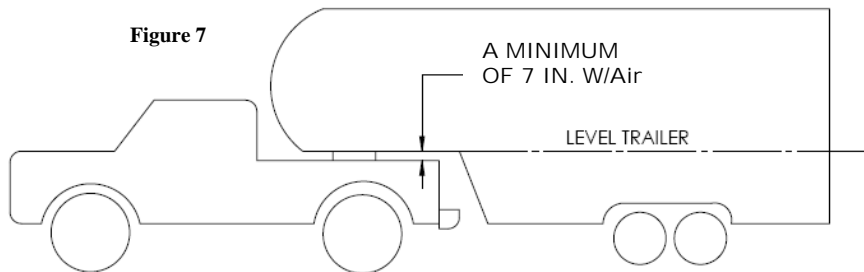
***Trailer weight should be the lowest of these recorded ratings for safe towing conditions.**

2. The Goose Box is designed for a maximum of 20% Gross Trailer Weight on the Ball (Goose Ball Vertical Weight). See Fig. 6



⚠ 3. The Height of the Goose Box should be adjusted in the wing set so there is a minimum 7 in. clearance between the top of the bed and the underside of the front of the trailer for pitch and yaw of the trailer (See Figure 7). This should be checked with the Goose Box air bag inflated to 40psi. It is recommended that the Goose Box be mount in the wing set one position lower than the original Pin Box.

⚠ For off-road use allow more clearance between pickup walls and trailer.



⚠ WARNING:

Avoid putting any part of your body under the trailer or between the truck and trailer. Unexpected or accidental movement of the truck or the trailer can cause serious injury or death

•If you must place any part of your body under the trailer or between the truck and trailer you MUST perform ALL of the following steps:

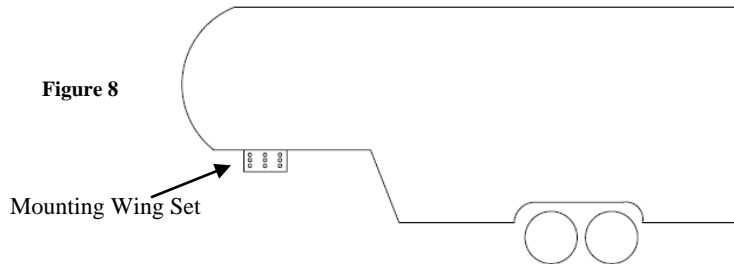
- Check that the truck transmission is in park
- Check that the emergency brake is set
- Block in front of and behind all trailer tires
- Check that the trailer landing gear are resting on firm ground

Installation / Owners Manual

Goose Box

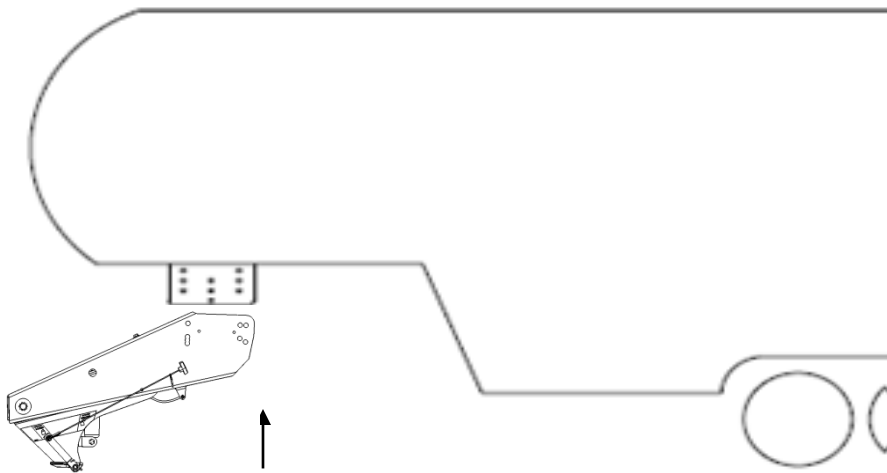
ASSEMBLY INSTRUCTIONS

1. Before removing the original pin box, take note of height of the original pin box, use this as a starting reference point for the height of installing the Goose Box into the mounting wing set. (See Figure 8) The Goose Box comes with all new hardware to be used. There is enough hardware for four bolts per side. Refer back to Figure 4 for bolt, washer, and nut installation.



2. Remove the existing pin box, taking care to remove any necessary wiring and/or break away switch if attached to the pin box. (If removed, the break away switch and wiring must be reinstalled after installation is complete. The break away switch can be mounted on the side of the Goose box or side of wing, but Do NOT drill or screw on the side of the Goose Box between the left of the warning label and the air fill bracket.)
3. Install the Goose Box inside the mounting wings (Figure 9), Cequent Performance Products recommends using the hardware kit included with the Goose Box. (4 bolts per side, 2 front row & 2 rear row) It is all grade 8 hardware. Install at least the hardware included as a minimum. Torque all bolts to 210 ft. lbs.

Figure 9



Note: Installing the front top bolt of the Goose Box first may ease alignment.

Note: It is recommended that you install the Goose Box one (1) position lower than the original pin box.

⚠ WARNING: The Goose Box is heavy, take care to maintain adequate support under the Goose Box arm until at least 2 bolts per side are installed. Failure to do so may result in death or serious injury.

HOOKING & UNHOOKING INSTRUCTIONS

When hitching and unhitching the trailer to the towing vehicle, you must do all of the following:

1. Block all trailer tires, in the front and behind.
2. Make sure that the trailer landing gear (trailer jacks) are resting on firm ground.
3. Make sure the truck is stationary, in park, with the emergency brake on.

Installation / Owners Manual

Goose Box

WARNING:

Unstable or improperly hitched trailers can fall or separate and cause serious injury or death:

Never attempt to hitch trailer without first reading and following all instructions in the manual provided with this product. Do not use without reading and understanding the manual.

Never tow a trailer that exceeds rated capacity. Towing a trailer that exceeds rated capacity can result in trailer separation, serious injury, or death.

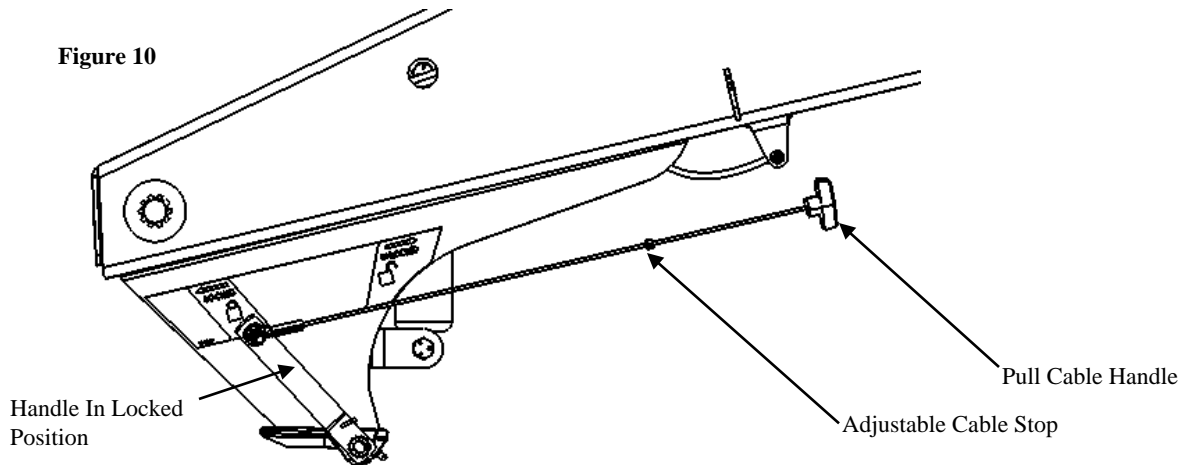
Never allow any part of the body to be placed under the trailer or between the truck and trailer.

The combined weight of the trailer and its contents must not exceed the lowest truck, hitch, and/or trailer tow rating. Keep hands clear when operating coupler mechanism.

HOOKING-UP:

1. Use only with 2 5/16" dia. Gooseneck Ball.
2. Ensure coupler handle is in the full forward position and not limited by the pull cable. (Figure 10)
3. Lower coupler onto gooseneck ball. Handle will open, then snap shut.
4. Make certain handle has returned forward and is in the locked position before towing.

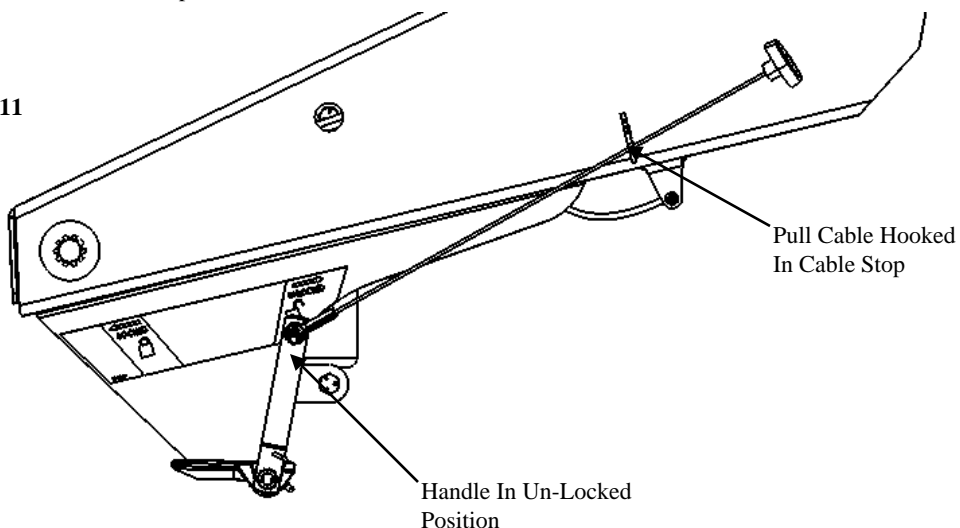
Figure 10



UNHOOKING:

1. Using pull cable, pull handle back and hook cable into stop. (Figure 11) Handle should be in the Un-Locked position.
2. Note: If necessary you can adjust the cable stop by loosening the small set screw, moving stop, and then retightening.
3. Raise trailer off of gooseneck ball, then release cable. (Figure 10)
4. Ensure latch remains in locked position.

Figure 11



Installation / Owners Manual

Goose Box

MAINTENANCE:

1. Grease coupler shaft from fitting in back of coupler before each use and grease goose ball before each use..
2. Keep Goose Box painted to prevent rust and maintain a good appearance. (Do Not Paint Over Labels)
3. No special instructions for storage, perform normal maintenance when taking out of storage and using again.

ADJUSTING THE AIR SPRING

1. Perform the hitching procedure before adjusting suspension air pressure.
2. With trailer hitched to truck and landing gear / jacks retracted, Add air to the air spring at the valve shown in figures 12A, B, & C.
3. Continue adding air until the label on the rear driver's side is in the green. (Figure 12C)

Note: Do NOT exceed 50 psi. Starting Operating Pressure Should Be Around 35-40 psi.

4. It may be helpful to put tow vehicle in drive, move a few inches, and then apply brake.

This will jounce the unit and let it find it's natural position.

5. Recheck Air

The label is a good reference for setting air pressure in the spring, if more performance is desired the air bag pressure can be adjusted to suite your preference. A good starting point for pressure setting is 35-40 psi. (Do Not Exceed 50 psi). If the ride is too soft, add more pressure. If the ride is harsh, remove pressure.

Figure 12 A

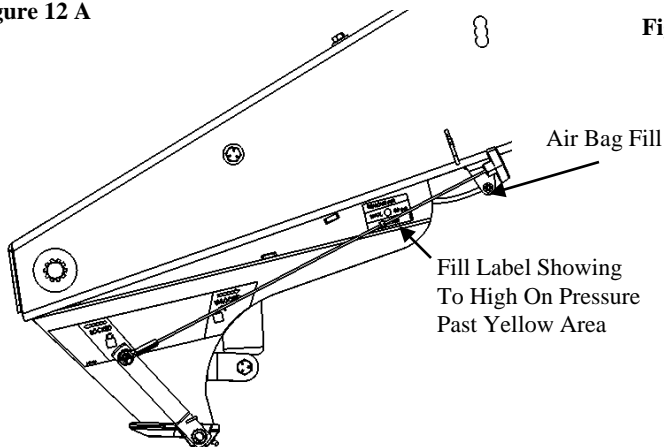


Figure 12 B

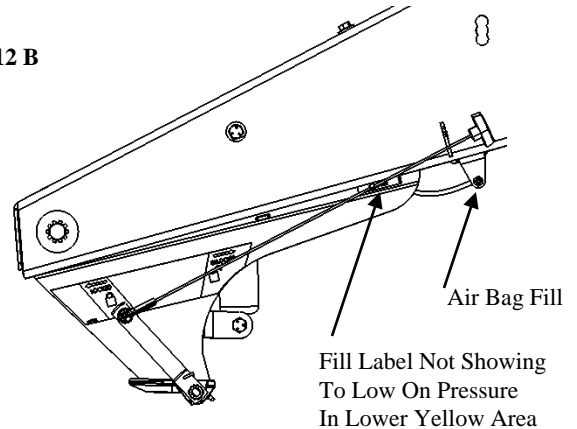
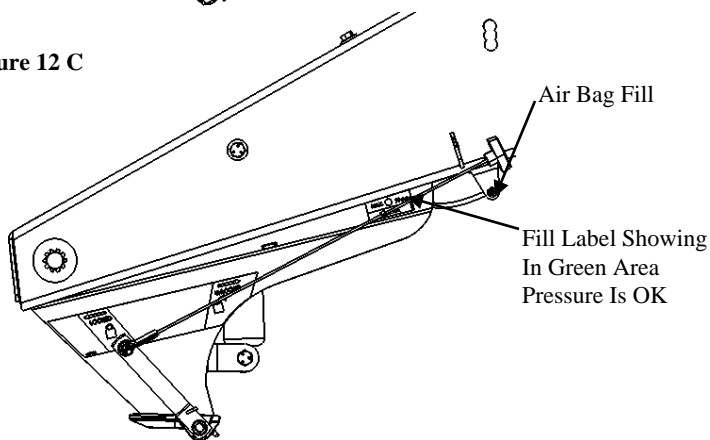


Figure 12 C



Note:

The Goose Box is equipped with an automatic air relief valve. If you try to over inflate the bag the relief valve will pop, releasing excess air. The system can help you adjust the air bag. Fill to green area, and then add a few more pounds of air pressure. Drive your unit and step on the brake a few times. Excess air will vent off. You should be left with the unit near or in the green area. This should be your most optimum air pressure.

BEFORE EACH TRIP:

1. CHECK YOUR EQUIPMENT: Check that condition of all of your towing equipment and keep it in top condition.
2. Check to see that all bolts are properly tightened.
3. Check that the airbag pressure is set for your coach. (The label in rear should be in the green zone.)

