

# Installation Instructions

## Fifth Wheel Adapter Bracket Kit

Nissan Titan – Crew Cab/King Cab

(Installation of this kit on vehicles with cargo box of less than 8' may require the installation of a Reese® Sidewinder™ Pin box or KIWK-SLIDE™.)

**Part Numbers:**

**58405**

30035 Rail Kit  
required for  
installation

**Equipment Required:**

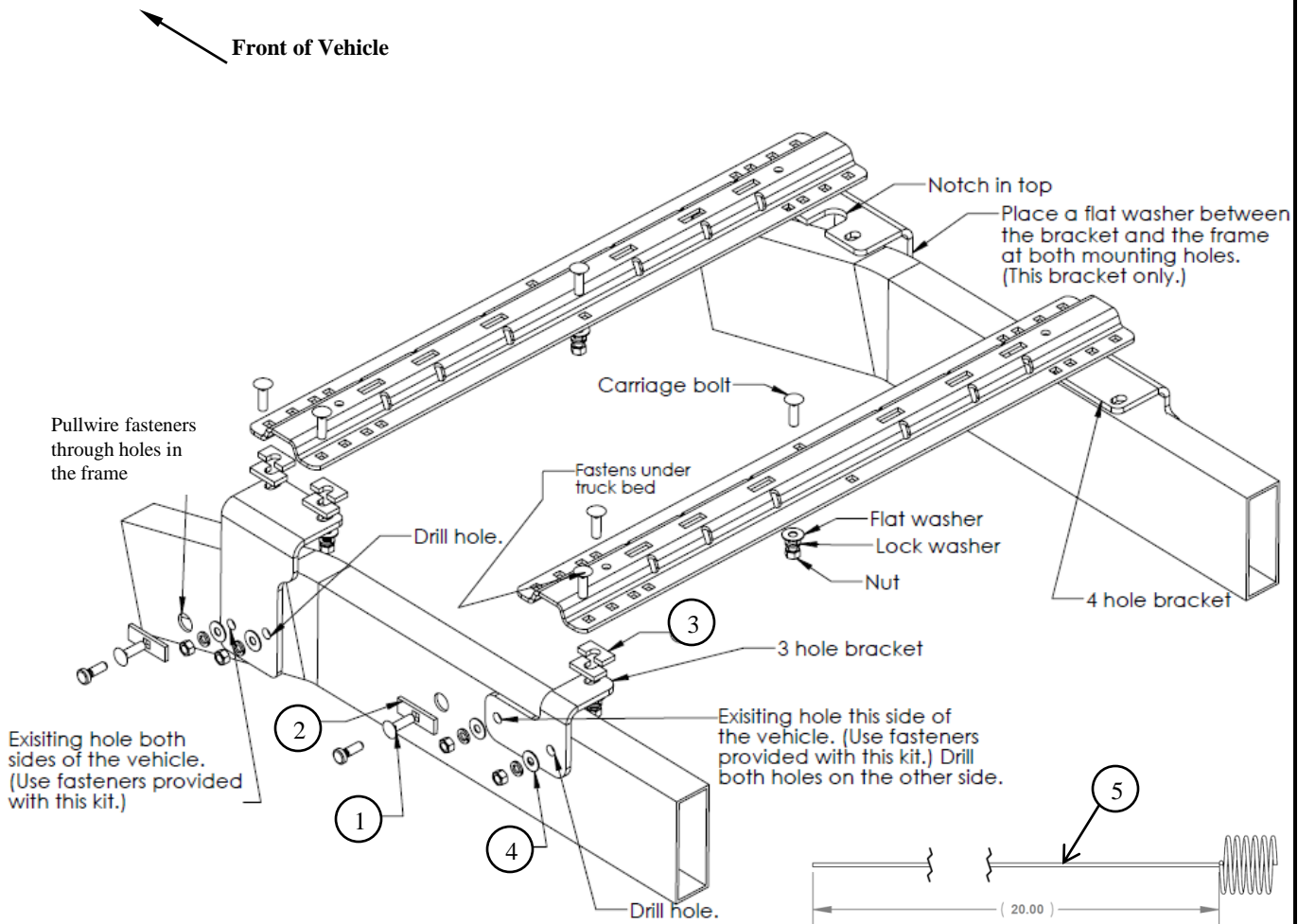
**Fastener Kit:** 116408, (30512-Fastener Kit from 30035)

**Wrenches:** 3/4", 7/8"

**Drill Bits:** 3/16", 17/32"

**Other Tools:** Center Punch, Measuring Tape,  
Phillips Screw Driver

**WARNING:** Under no circumstances do we recommend exceeding the towing vehicle manufacturers recommended vehicle towing capacity.



**Fasteners listed below are supplied with this kit, all other mentioned fasteners are supplied with part number 30035.**

<b>1</b>	Qty. (4)	1/2"-13 X 1.75" Carriage Bolt	<b>4</b>	Qty. (10)	1/2" Flat Washer
<b>2</b>	Qty. (4)	1/4" X 1.00" X 3.00" Block	<b>5</b>	Qty. (2)	1/2" Pull wire
<b>3</b>	Qty. (4)	5/16" X 1.00" X 2.00" – U shaped Block			

**CAUTION!**

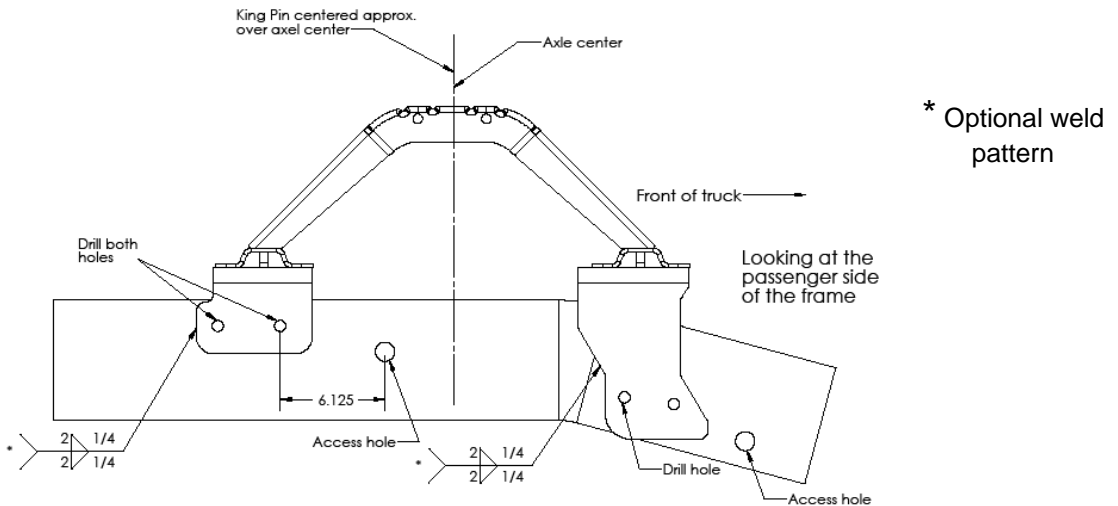
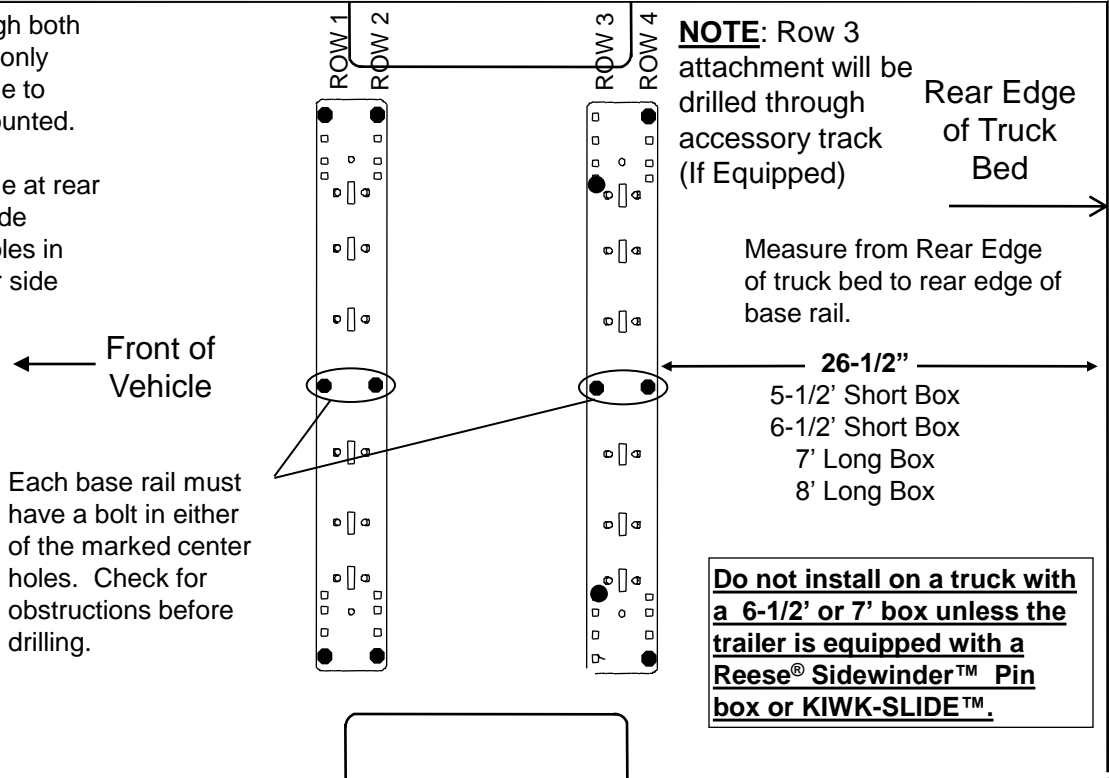
Read pages 2-3 of 30035 instructions before starting installation. Failure to do so could result in significant vehicle damage!

**IMPORTANT NOTES FOR THIS INSTALLATION:**

1. Use the 58405 service kit together with 30035 mounting kit. Read pages 1-3 of 30035 instruction for general information.
2. Bolts will need to be pulled through access holes in frame with supplied pull wire (see below).

3. Do not drill through both walls of frame. Drill only through wall of frame to which bracket is mounted.

4. Drill through frame at rear hole in each front side bracket and both holes in passenger side rear side bracket.



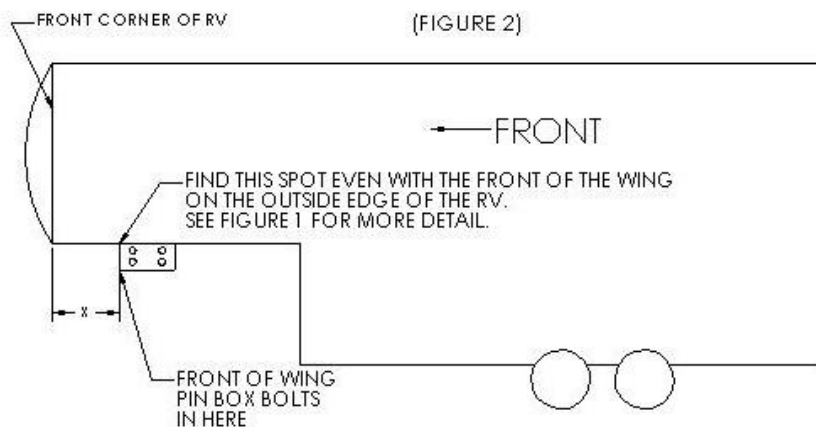
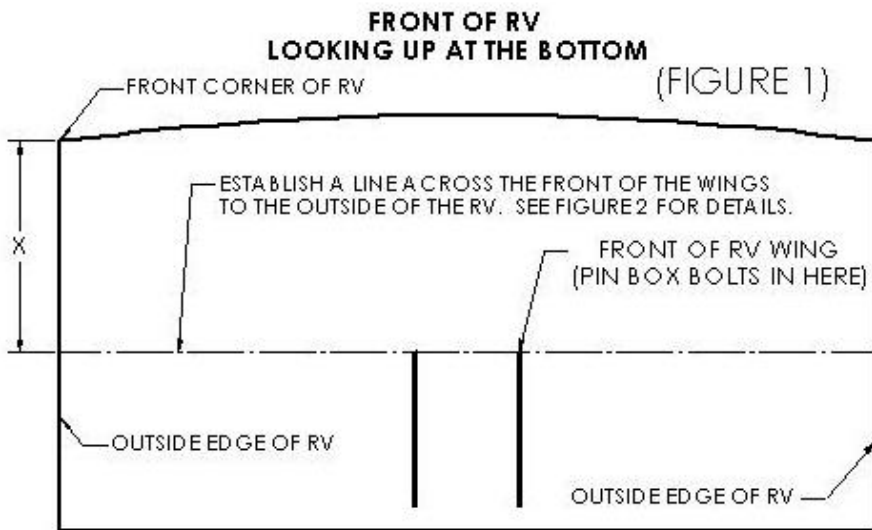
**CAUTION!**

Check for obstructions before drilling. Failure to do so could result in damaged fuel or brake lines, structural members, etc. CEQUENT PERFORMANCE PRODUCTS, Inc. does its best to communicate tow vehicle manufacturer changes; however, it is ultimately the responsibility of the installer to prevent damage due to installation.

# NISSAN TITAN CREW CAB & KING CAB

## DETERMINE CLEARANCE NEEDED BETWEEN RV AND TRUCK CAB FOR A 90 DEGREE TURN

1. The instructions assume that the RV has a Reese® Sidewinder™ with 22" from pivot to kingpin installed on the RV.
2. Find the corner of the RV and tape on a string about 6 feet above the ground. Be sure that the string is hanging straight down. Add a small weight if needed.
3. Establish a line across the front of the pin box wings. Extend this "straight" line out to the edge of the RV. See figure 1 below.
4. Measure from this line to the string on the corner. This dimension will be called "X".
5. Looking at the chart below, find your bed length and RV width. The table displays the **maximum** "X" dimension you can have without hitting your truck cab.



TRUCK BED LENGTH	MAXIMUM X 8' WIDE RV	MAXIMUM X 8-1/2' WIDE RV
5-1/2'	1"	Not Recommended
6-1/2'	31"	26.5"
7'	43"	40"
8'	58.5"	56"