

COVER PAGE

50083 CUSTOM QUICK INSTALL
MOUNTING KIT

NOTE!

Prior to installing product, please visit one of our websites to assure your kit contains the most recent revision to installation instruction and verify vehicle application.

www.ReeseProduct.com

Installation Instructions

Part Numbers:

CUSTOM QUICK INSTALL

50083

MOUNTING KIT

Dodge Ram 1500

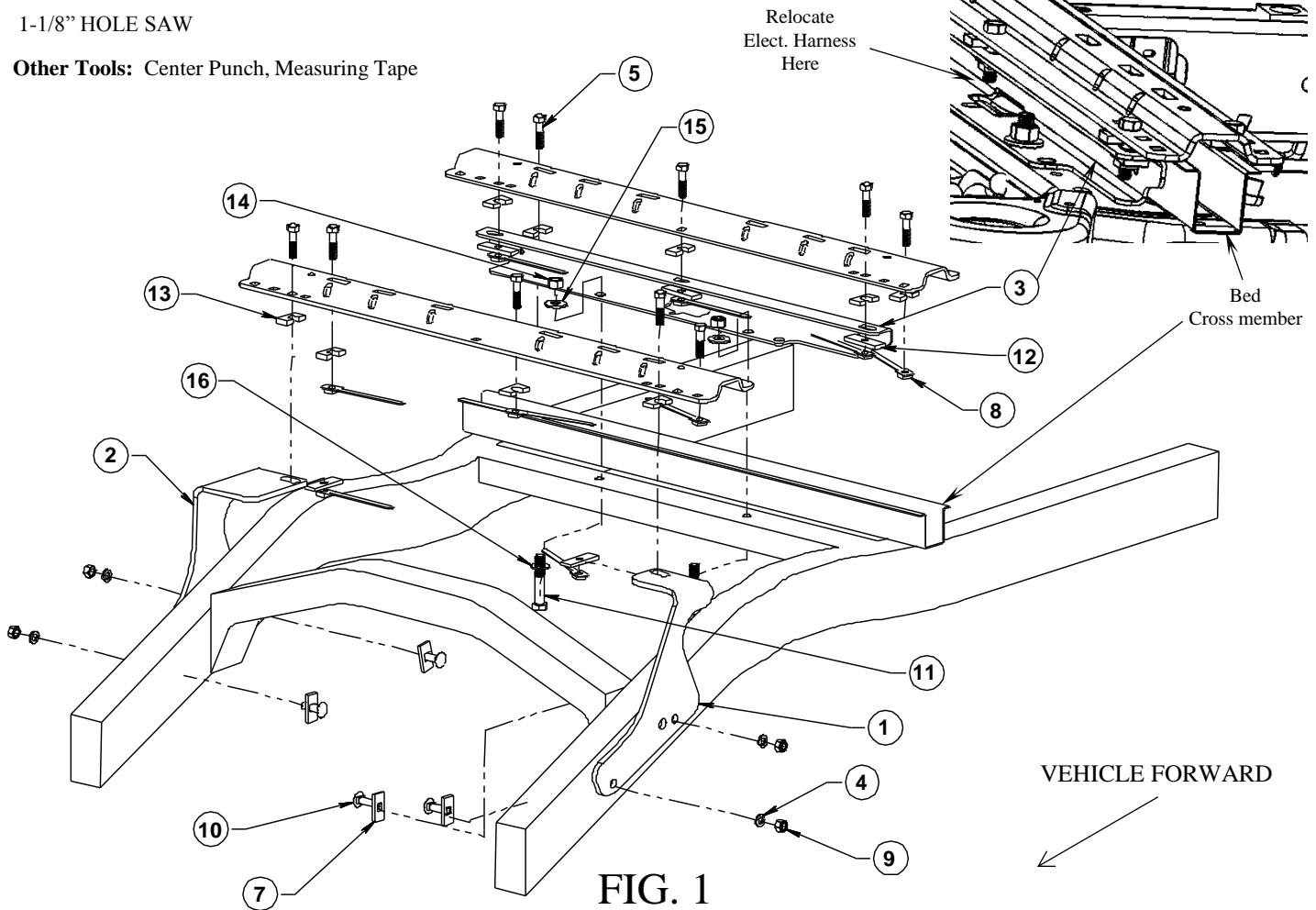
(Does not fit 5-1/2' beds)

Equipment Required:

- Fastener Kit:** 50083F
- Wrenches:** 3/4", 7/8", 15/16"
- Drill Bits:** 1/8", 9/16", 5/8"
- 1-1/8" HOLE SAW

Other Tools: Center Punch, Measuring Tape

WARNING: Under no circumstances do we recommend exceeding the towing vehicle manufacturers recommended vehicle towing capacity.



INSTALLATION SHOWN FOR THE 58058 OR 30035 RAILS

#	Name	#	Name	#	Name
1	Bracket, Front Left	1	7 .25" x 1" x 2" Blocks	4	13 Spacer Plate*
2	Bracket, Front Right	1	8 1/2" Nut Handles	10	14 5/8" Nut Grade 2*
3	C-Channel	1	9 1/2" Hex head Nuts	4	15 5/8" Serated Washer*
4	1/2" Lock washers	4	10 1/2" x 1.75" Carriage Bolts	4	16 5/8" Flat Washer*
5	1/2" x 2" Bolts Grade 5	10	11 5/8" x 3.5" Bolts Grade 5	2	
6	Wire Pulls	2	12 .25" x 1" x 3" Blocks	5	

Fasteners shown with (*) are supplied with rail kit 58058

**FOR
INSTALLATION
OF 58058 OR 30035
RAIL KITS**

**Installation Instructions
CUSTOM QUICK INSTALL
MOUNTING KIT
Dodge Ram 1500**

Part Numbers:
50083

(Does not fit 5-1/2' beds)

1. Do not install mounting rails over plastic bed liners. Plastic bed liners must be cut out of the way to provide metal to metal contact. Mounting rails may be installed on spray in liners.
2. Use only bolts, nuts, and washers supplied to install this kit. All bolts & nuts are Grade 5 unless otherwise specified.
3. **DO NOT INSTALL THIS PRODUCT ON OR ATTEMPT TO TOW WITH A TRUCK WITH A BED THAT IS LESS THAN 6' LONG.**
4. These instructions are guidelines only, actual installation is the responsibility of the installer and the owner. Always measure truck and trailer before installing hitch to be sure that there is clearance at the cab and at the bumper to allow for turns.
5. On the driver's side frame rail, temporarily remove the forward hex nuts and ground wires attached to the vehicle frame.
6. Remove the spare tire if this helps to give more room to install the product.
7. Remove the plastic fender wells.
8. Place the rearward mounting rail in the bed of the vehicle. Center the rail from left to right on the floor of the truck bed and use your tape measure to locate the proper distance from the rear of the rail to the rear edge of the truck box as illustrated on page 3.
9. Use a center punch to mark the holes in the rail per the illustration. Move the rail out of the way and drill each position through the bed with a 1/8" drill bit. **Note: On the driver's side of the vehicle the gas tank is located below the bed of the vehicle. When drilling holes through the bed be sure not to damage the fuel tank.**
10. For Dual Exhaust, unbolt driver's side exhaust hanger from cross-member and remove. **If no Dual Exhaust, go to next step.**
11. To place the c-channel above the cross member as shown on page 1, temporarily remove the plastic clips that hold the wiring harness to the top of the cross member. Disconnect electrical connectors from both end of this harness section and move it out of the way. Also remove the rear differential breather tube from the cross member and shock mount. Place c-channel approximately centered from left to right. Check that the 1/8" drilled holes align with the slots in the c-channel.
12. Enlarge the 1/8" drilled holes to 9/16" with a drill. Paint bare metal as required.
13. Fasten the c-channel to the vehicle frame as shown in Figure 1 using 5/8" hardware. Bolt up through the trucks cross member.
14. Reposition the rear mounting rail over the holes in the bed and fasten the mounting rail to the c-channel using the supplied 1/2" hex bolts (as shown in figure 1). Use the supplied U-shaped blocks between the c-channel or mounting rails and the truck bed to ensure metal to metal contact.
15. For Dual Exhaust, reattach exhaust hanger that was removed in step 10.
16. Place the unassembled 5th wheel support arches/slider/goose into the already installed mounting rail. Position the forward mounting rail with the support arches/slider/goose by inserting the tabs into the mounting rail and pushing the mounting rail tight towards the other mounting rail. Ensure that the mounting rail is centered on the bed of the vehicle. This will position the rail in the correct location and ensure that the 5th wheel will have a snug fit to the truck. **Note: If more than one hitch product will be used with the mounting rails then both types should be used at the same time to align the forward mounting rail. This will ensure that one product does not compromise the fit of the other.**
17. Use a center punch to mark the holes in the forward rail per the illustration on page 3. Move the rail out of the way and drill each position with a 1/8" drill bit. Enlarge the 1/8" drilled holes to 9/16" and paint bare metal as required. Reposition the mounting rails over the holes drilled in the bed.
18. Install the front frame rail brackets as shown in figure 1, use supplied U-shaped blocks. The brackets install ahead of the hat section that supports the bed. Use the 1/2" pull wire to pull the carriage bolts and square hole plates into the frame.
19. Starting with the hex bolts that fasten the rails to the frame brackets thru the bed, torque all the nuts. Torque the hex bolts positioned in the center of the rails. Torque the fasteners that attach the frame brackets to the vehicle frame then all remaining fasteners.
20. Re-install the ground wire remove in installation step 5. Re-install spare tire. Re-attach the wiring harness and the differential breather tube that were removed in step 10. Torque the 1/2" fasteners to 75 (ft-lb.) 102 (N*M) Torque the 5/8" fasteners to 150 (ft-lb.) 204 (N*M).

Installation Instructions

CUSTOM QUICK INSTALL

MOUNTING KIT

Dodge Ram 1500

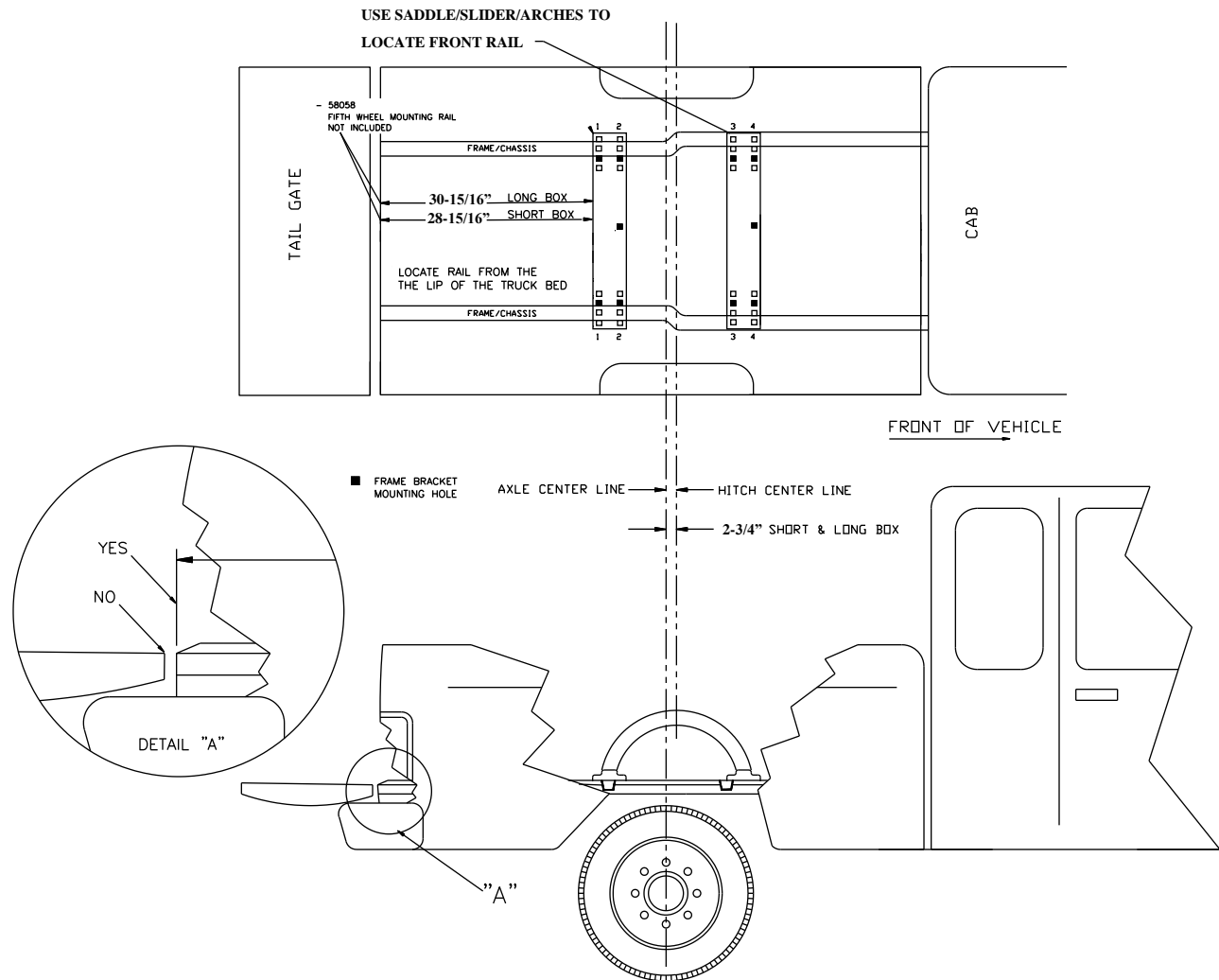
(Does not fit 5-1/2' beds)

Position the Rail

RAILS 58058 OR 30035 ONLY

Part Numbers:

50083



FOR RAILS 58058 OR 30035 ONLY

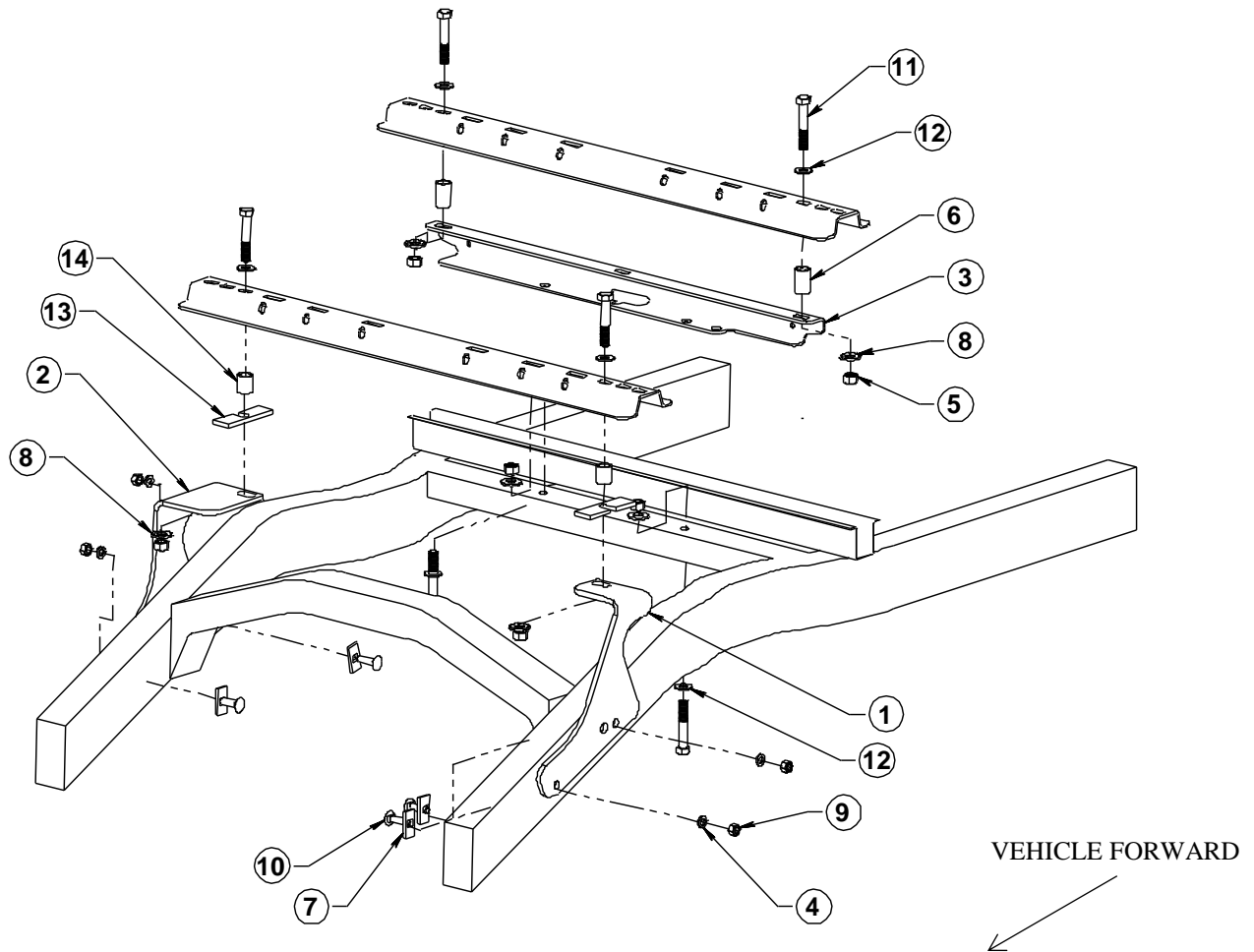


FIG. 2

INSTALLATION SHOWN FOR THE 30124 OR 30095 RAILS

#	Name	#	Name	#	Name
1	Bracket, Front Left	1	7 .25" x 1" x 2" Blocks	4	13 5/16" x 1.5" x 5" Blocks* 2
2	Bracket, Front Right	1	8 5/8" Serrated Washers	6	14 5/8" x 1.27 Tube Spacers* 2
3	C-Channel	1	9 1/2" Hex head Nuts	4	15
4	1/2" Lock washers	4	10 1/2" x 1.75" Carriage Bolts	4	16
5	5/8" Nut Grade 2	6	11 5/8" x 3.5" Bolts Grade 5	6	17
6	7/8" x 1 1/4" Tube Spacers	2	12 5/8" Flat Washers	6	18

Fasteners shown with (*) are supplied with rail kit 30124

**FOR
INSTALLATION OF
30124 OR 30095
RAIL KITS**

**Installation Instructions
CUSTOM QUICK INSTALL
MOUNTING KIT
Dodge Ram 1500**

Part Numbers:
50083

(Does not fit 5-1/2' beds)

1. Do not install mounting rails over plastic bed liners. Plastic bed liners must be cut out of the way to provide metal to metal contact. Mounting rails may be installed on spray in liners.
2. Use only bolts, nuts, and washers supplied to install this kit. All bolts are grade 5 and nuts are grade 5 unless otherwise specified.
3. **DO NOT INSTALL THIS PRODUCT ON OR ATTEMPT TO TOW WITH A TRUCK WITH A BED THAT IS LESS THAN 6' LONG.**
4. These instructions are guidelines only, actual installation is the responsibility of the installer and the owner. Always measure truck and trailer before installing hitch to be sure that there is clearance at the cab and at the bumper to allow for turns.
5. On the driver's side frame rail, temporarily remove the forward hex nuts and ground wires attached to the vehicle frame.
6. Remove the spare tire if this helps to give more room to install the product.
7. Remove the plastic fender wells.
8. Place the rearward mounting rail in the bed of the vehicle. Center the rail from left to right on the floor of the truck bed and use your tape measure to locate the proper distance from the rear of the rail to the rear edge of the truck box as illustrated on page 6.
9. Use a center punch to mark the holes in the rail as shown in illustration on page 6. Move the rail out of the way and drill each position through the bed with a 1/8" drill bit. **Note: On the driver's side of the vehicle the gas tank is located below the bed of the vehicle. When drilling holes through the bed be sure not to damage the fuel tank.**
10. For Dual Exhaust, remove driver's side exhaust hanger from cross-member. **If no Dual Exhaust, go to next step.**
11. To place the c-channel above the cross member as shown on page 4. Temporarily remove the plastic clips that hold the wiring harness to the top of the cross member. Also remove the rear differential breather tube from the cross member. Place c-channel approximately centered from left to right. Check that the 1/8" drilled holes align with the slots in the c-channel.
12. Enlarge the 1/8" drilled holes to 1-1/8" with a hole saw.
13. Fasten the c-channel to the vehicle frame as shown in Figure 2 using 5/8" hardware. Bolt up through the trucks cross member. Install the 1-3/4" long tube spacers above the channel and within truck bed.
14. Reposition the mounting rail over the tube spacer installed in step 13, and fasten the mounting rail to the c-channel using the supplied 5/8" hex bolts. **Note:** Be sure 1-3/4" long tube spacers are installed between the c-channel and mounting rails to ensure metal to metal contact.
15. For Dual exhaust, reattach exhaust hanger that was removed in step 10.
16. Place the unassembled 5th wheel support arches/slider/goose into the already installed mounting rail. Position the forward mounting rail with the support arches/slider/goose by inserting the tabs into the mounting rail and pushing the mounting rail tight towards the other mounting rail. Ensure that the mounting rail is centered on the bed of the vehicle. This will position the rail in the correct location and ensure that the 5th wheel will have a snug fit to the truck. **Note:** If more than one hitch product will be used with the mounting rails then both types should be used at the same time to align the rearward mounting rail. This will ensure that one product does not compromise the fit of the other.
17. Use a center punch to mark the holes in the forward rail per the illustration. Move the rail out of the way and drill each position with a 1/8" drill bit.
18. Install the front frame rail brackets as shown on page 4. Use the 1/2" pull wire to pull the carriage bolts and square hole plates into the frame. Enlarge 1/8" drilled holes to 5/8" with a drill bit. Install the 1.27" tube spacer in hole just drilled. If the hole drilled in your bed falls on the rise of your corrugation, place 5" x 1" block (part #13) underneath bed. If the hole falls in the dip of your corrugation, place block on top of bed. Reposition the mounting rails over the holes drilled in the bed. Fasten the front rail to the frame brackets as shown in figure 2 using the 5/8" bolt and flat washer down through the rail and tube spacer. Fasten with 5/8" serrated washer and nut.
19. Starting with the hex bolts that fasten the rails to the frame brackets, torque all the nuts. Torque the fasteners that attach the frame brackets to the vehicle frame. Torque the 5/8" fasteners to 150 (ft-lb.) 204 (N*M) Torque the 1/2" fasteners to 75 (ft-lb.) 102 (N*M)
20. Re-install the ground wires remove in installation step 5. Re-install spare tire. Re-install spare tire. Re-attach the wiring harness and the differential breather tube that were removed in step 10.

Installation Instructions

CUSTOM QUICK INSTALL

MOUNTING KIT

Dodge Ram 1500

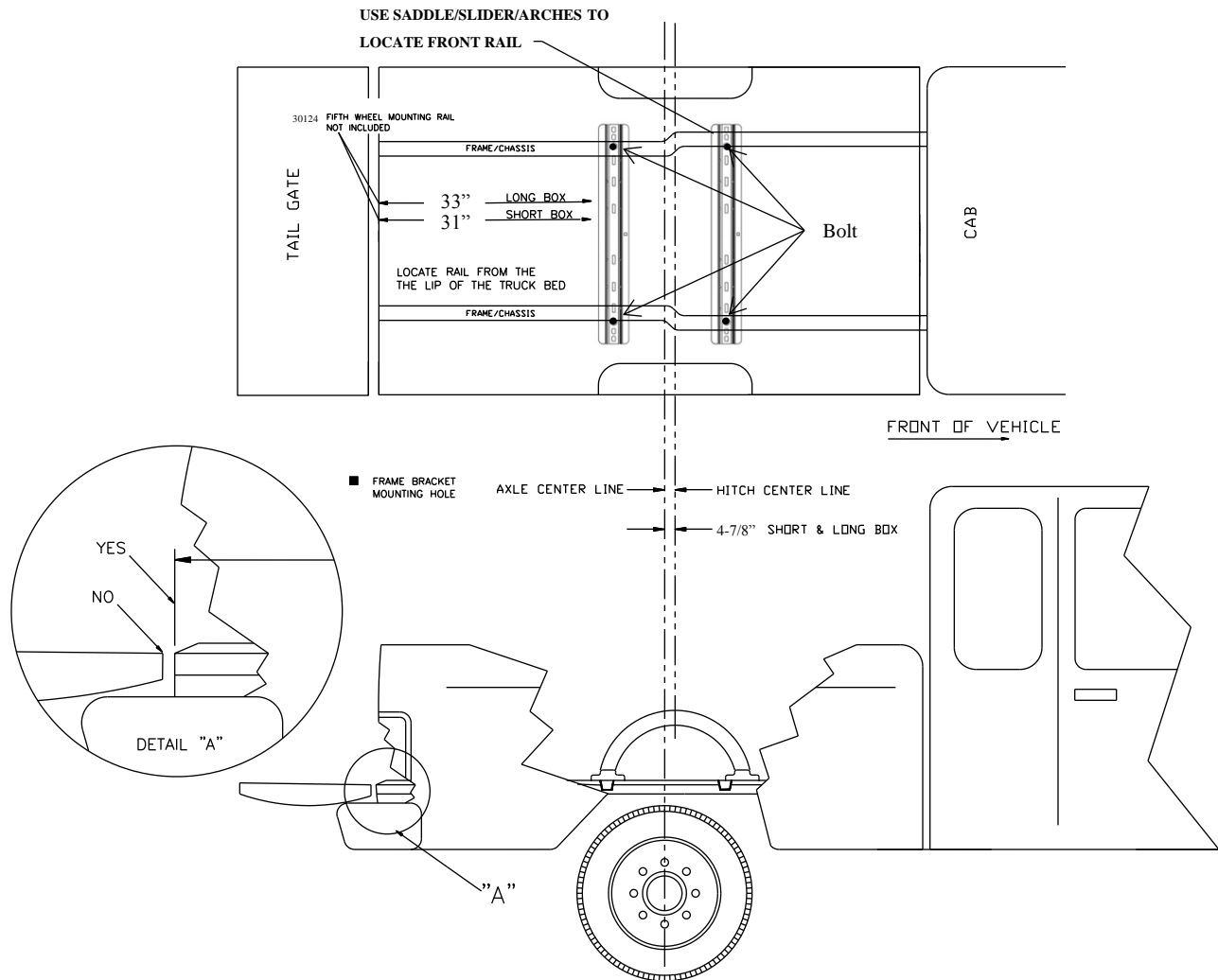
(Does not fit 5-1/2' beds)

Position the Rail

RAILS 30095 OR 30124 ONLY

Part Numbers:

50083



FOR RAILS 30124 OR 30095 ONLY

LIMITED LIFETIME WARRANTY

Part No: _____

Date of Original Purchase: _____

Original Owner: _____

Original Installer: _____

1. Limited Lifetime Warranty (“Warranty”). Cequent Performance Products, Inc. (“We” or “Us”) warrants to the original consumer purchaser only (“You”) that the product will be free from material defects in both material and workmanship, ordinary wear and tear excepted; provided that installation and use of the product is in accordance with product instructions. There are no other warranties, express or implied, including the warranty of merchantability or fitness for a particular purpose. This warranty is not transferable.

2. Limitations on the Warranty. This Warranty does not cover: (a) normal wear and tear; (b) damage through abuse, neglect, misuse, or as a result of any accident or in any other manner; (c) damage from misapplication, overloading, or improper installation; (d) improper maintenance and repair; and (e) product alteration in any manner by anyone other than Us, with the sole exception of alterations made pursuant to product instructions and in a workmanlike manner.

3. Obligations of Purchaser. To make a Warranty claim, contact Us, at our principal address of 47912 Halyard Dr. Suite 100, Plymouth, MI 48170, 1-888-521-0510, identify the product by model number, and follow the claim instructions that will be provided. Any returned product that is replaced by Us becomes our property. You will be responsible for return shipping costs. Please retain your purchase receipt to verify date of purchase and that You are the original consumer purchaser. The product and the purchase receipt must be provided to Us in order to process Your Warranty claim.

4. Remedy Limits. Product replacement is Your sole remedy under this Warranty. We shall not be liable for service or labor charges incurred in removing or replacing a product or any incidental or consequential damages of any kind.

5. Assumption of Risk. You acknowledge and agree that any use of the product for any purpose other than the specified use(s) stated in the product instructions is at Your own risk.

6. Governing Law. This Warranty gives You specific legal rights, and You also may have other rights which vary from state to state. This Warranty is governed by the laws of the State of Michigan, without regard to rules pertaining to conflicts of law. The state courts located in Oakland County, Michigan shall have exclusive jurisdiction for any disputes relating to this Warranty.