

# Installation Instructions

## GOOSENECK MOUNTING KIT

Dodge Ram 1500  
Short & Long Bed

**Part Numbers:**

**4446**

**Equipment Required:**

**Fastener Kit:** 4446F

**Wrenches:** 8mm, 13mm, 3/4, 15/16

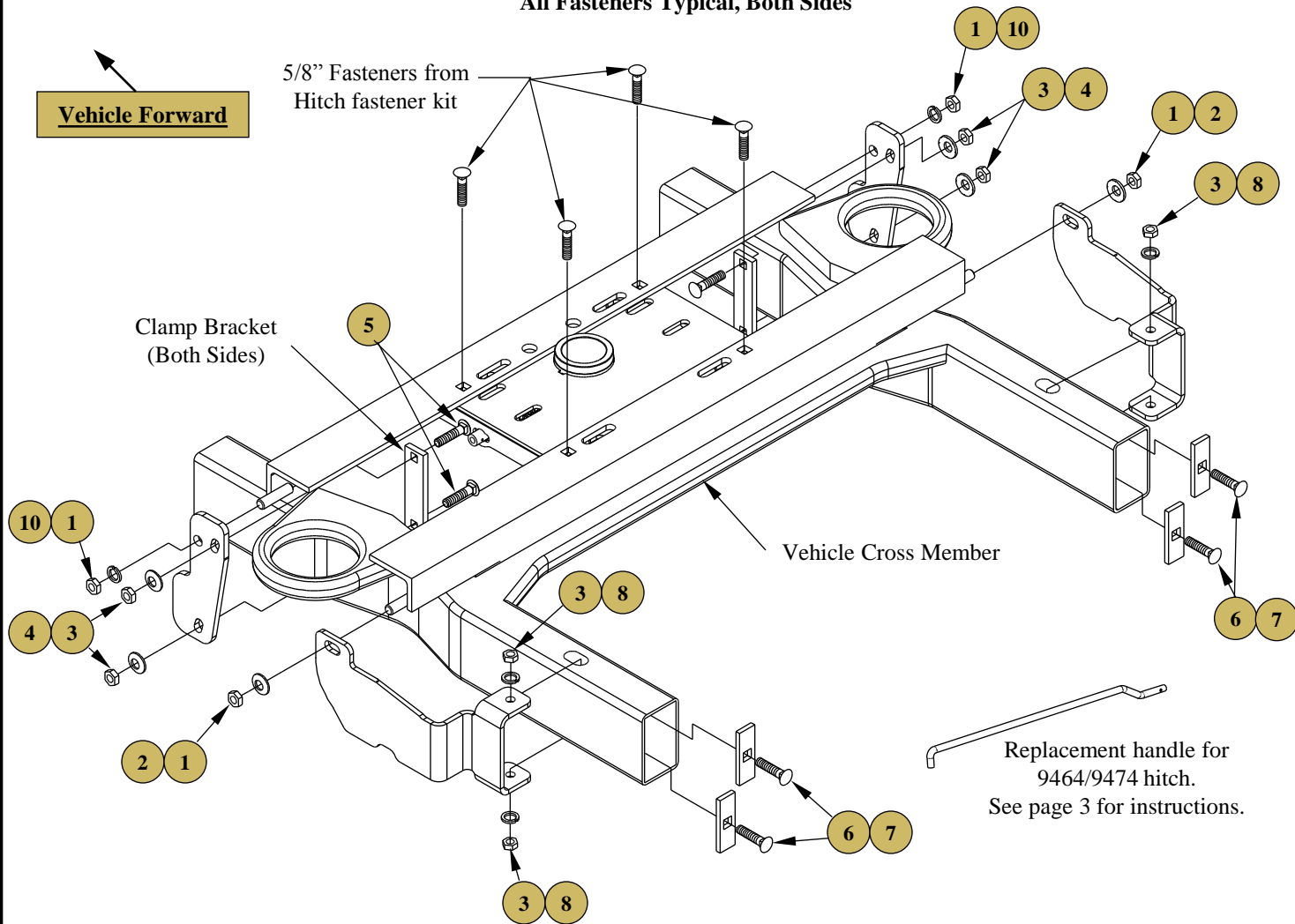
**Drill Bits:** 1/4"

**Other Tools:** Drill, Reciprocating Saw, File

**WARNING:** Under no circumstances do we recommend exceeding the towing vehicle manufacturers recommended vehicle towing capacity.

### 9464/9474 HIDE-A-GOOSE HITCH INSTALLATION

All Fasteners Typical, Both Sides



**Figure 1**

<b>1</b>	Qty. (4)	Hex Nut, 5/8-11	<b>6</b>	Qty. (4)	Carriage Bolt, 1/2-13 X 1.75
<b>2</b>	Qty. (2)	Conical Toothed Washer, 5/8"	<b>7</b>	Qty. (4)	Block, 1/4 X 1.00 X 3.00
<b>3</b>	Qty. (8)	Hex Nut, 1/2-13	<b>8</b>	Qty. (4)	Lock Washer, 1/2"
<b>4</b>	Qty. (4)	Conical Toothed Washer, 1/2"	<b>9</b>	Qty. (4)	Shims, 1/4 X 1.00 X 2.00
<b>5</b>	Qty. (4)	Carriage Bolt, 1/2-13 X 5.50	<b>10</b>	Qty. (2)	Lock Washer, 5/8"

# Installation Instructions

## GOOSENECK MOUNTING KIT

Part Numbers:

**4446**

Dodge Ram 1500  
Short & Long Bed  
**9464/9474 HIDE-A-GOOSE INSTALLATION**

### NOTES:

- This rail kit can be used with a 9464 or 9474 head only.
- Always make sure the ball is fully locked before towing.
- Keep the ball and ball sleeve well lubricated.
- Periodically re-torque all the hitch fasteners.
- Check ball, hitch coupler, safety chains and other connections for proper operation every time you tow.

### Warning:

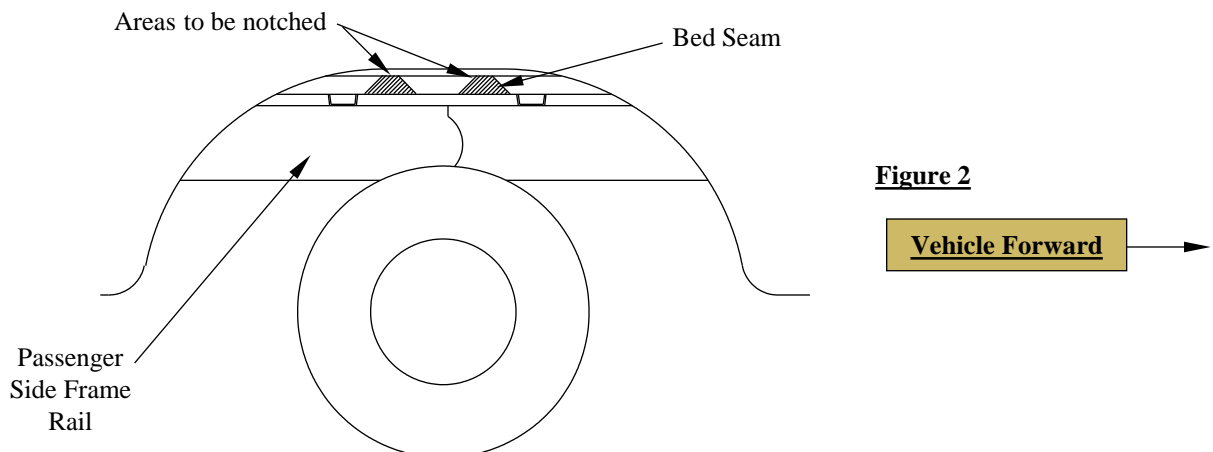
- ❖ The tow vehicle manufacturers recommended towing capacities should **UNDER NO CIRCUMSTANCES** be exceeded.
- ❖ Check for adequate clearance between the gooseneck trailer and the rear of the cab and the rear of the truck box before installing hitch.
- ❖ All trucks have fuel lines, brake lines and electrical wiring located along the vehicle frame where the rail kit installs. Carefully examine the location of fuel lines, brake lines and electrical wires before installation and be certain not to damage these when positioning the hitch components. Be careful when drilling holes, cutting sheet metal and tightening fasteners as to not limit the integrity of these systems.

**Hide-A-Goose Only – Drilled hole in bed location (see step 2).**

**Short Box – 44-1/8 inches    Long Box – 46-1/8 inches**

### Installation Instructions

1. Remove plastic inner fender liners on both sides of truck to get access to frame. Liners can either be left off or modified and reassembled on truck later on. Ask truck owner what they want done.
2. From underneath the vehicle, remove the clips on the vapor tube and wiring harness, attached to the vehicle rearward cross member. These will need to be removed to allow the rearward rail to slide into position between the vehicle bed and frame rails. Also on dual exhaust trucks the hanger mounted to the top of the cross member that interferes with the rear cross rail will have to be removed. Remove bolt and slide hanger out of rubber isolator.
3. When installing the 9464/9474 Hide-A-Goose hitch, a hole must be drilled in the bed of the truck. Mark and drill a 1/4" hole **44-1/8 inches (6'-4" bed) / 46-1/8 inches (8' bed)** from the rear of the bed and centered between the wheel wells. Using a hole saw, enlarge the pilot hole to the final diameter hole size. Refer to the 9464/9474 Hide-A-Goose instruction sheet for hole size.
4. **Positioning the cross members by notching the bed seam:** Using a saber saw, cut a notch in the bed seam on the passenger's side of the vehicle, between the vehicle frame and the bed as shown in Figure 2. Slide the forward cross member through the notch and above both frame rails. Slide the rearward cross member through the notch cut in the bed seam and above both frame rails.
5. Place 5/8" GR8 carriage bolts from the Hide-A-Goose hitch fastener kit into the square holes on the cross members from the top pointing towards the ground (see Figure 1).



**Figure 2**

# Installation Instructions

Part Numbers:

## GOOSENECK MOUNTING KIT

**4446**

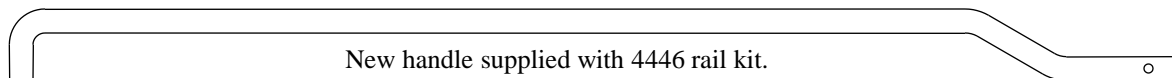
Dodge Ram 1500

Short & Long Bed

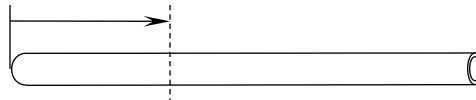
### 9464/9474 HIDE-A-GOOSE INSTALLATION

- Loosely install the 9464/9474 Hide-A-Goose hitch to the cross members. Refer to the 9464/9474 instruction sheet. **Note: The ball of the hitch should be closer to the forward rail than the rear rail (see Figure 1).**
- Position the rearward mounting kit brackets by aligning the slot in the brackets with the threaded studs on the ends of the rearward rail and the slots on the top and bottom of the vehicle frame rail.
- Loosely install the 5/8 hex nut and conical toothed washer attaching the brackets to the rail.
- Fish wire the 1/2-13 X 1.75 carriage bolts and 1/4 X 1.00 X 3.00 blocks through the holes in the frame, and through the holes in the brackets. Loosely install the 1/2 hex nuts and lock washers.
- Install the forward mounting kit brackets by aligning the hole in the brackets with the threaded studs on the ends of the rail. Loosely install the 5/8 hex nut and conical toothed washer attaching the brackets to the rail.
- Loosely install the clamp brackets using the 1/2-13 X 5.50 carriage bolts, conical toothed washers and hex nuts.
- After carefully aligning the hitch ball sleeve with the opening in the truck bed, torque all 5/8-11 GR5 fasteners on the brackets to 150 ft.-lb. (203 N-m), 1/2-13 GR5 fasteners to 75 ft.-lb. (102 N-m), and 5/8-11 GR8 fasteners on the hitch to 212 ft.-lb. (287 N-m). Use the following sequence: a) torque frame brackets to the frame of the vehicle, b) torque rails to the frame brackets, c) torque hitch to rails.
- Re-attach the wiring harness and vapor tube to the vehicle cross member.
- This rail kit is supplied with a custom handle so as to extend beyond the truck shock mount and beyond the plastic inner fender liner. See diagrams below. Plastic inner fender liner will either have to be left off of truck or cut to allow access to handle. Consult with truck owner to see which option they prefer.
- If truck owner would like liner to be trimmed see diagram of one option on next page.

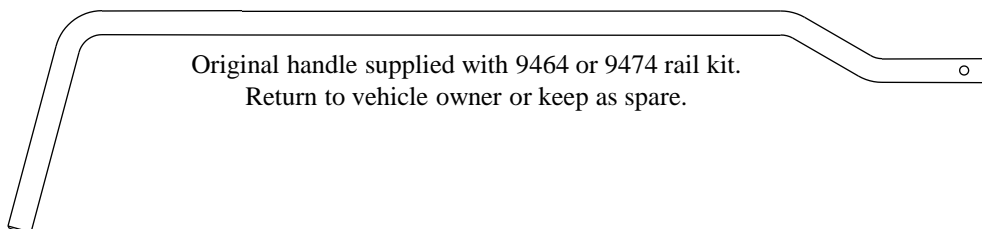
### Custom handle for use with 4446 rail kit



New handle supplied with 4446 rail kit.  
Use this handle for Dodge 1500  
applications only.



Original plastic tube for handle supplied with 9464 or 9474 hitch.  
Cut 1-1/2" to 2" long and insert over end of new handle above.



Original handle supplied with 9464 or 9474 rail kit.  
Return to vehicle owner or keep as spare.

# Installation Instructions

## GOOSENECK MOUNTING KIT

Dodge Ram 1500

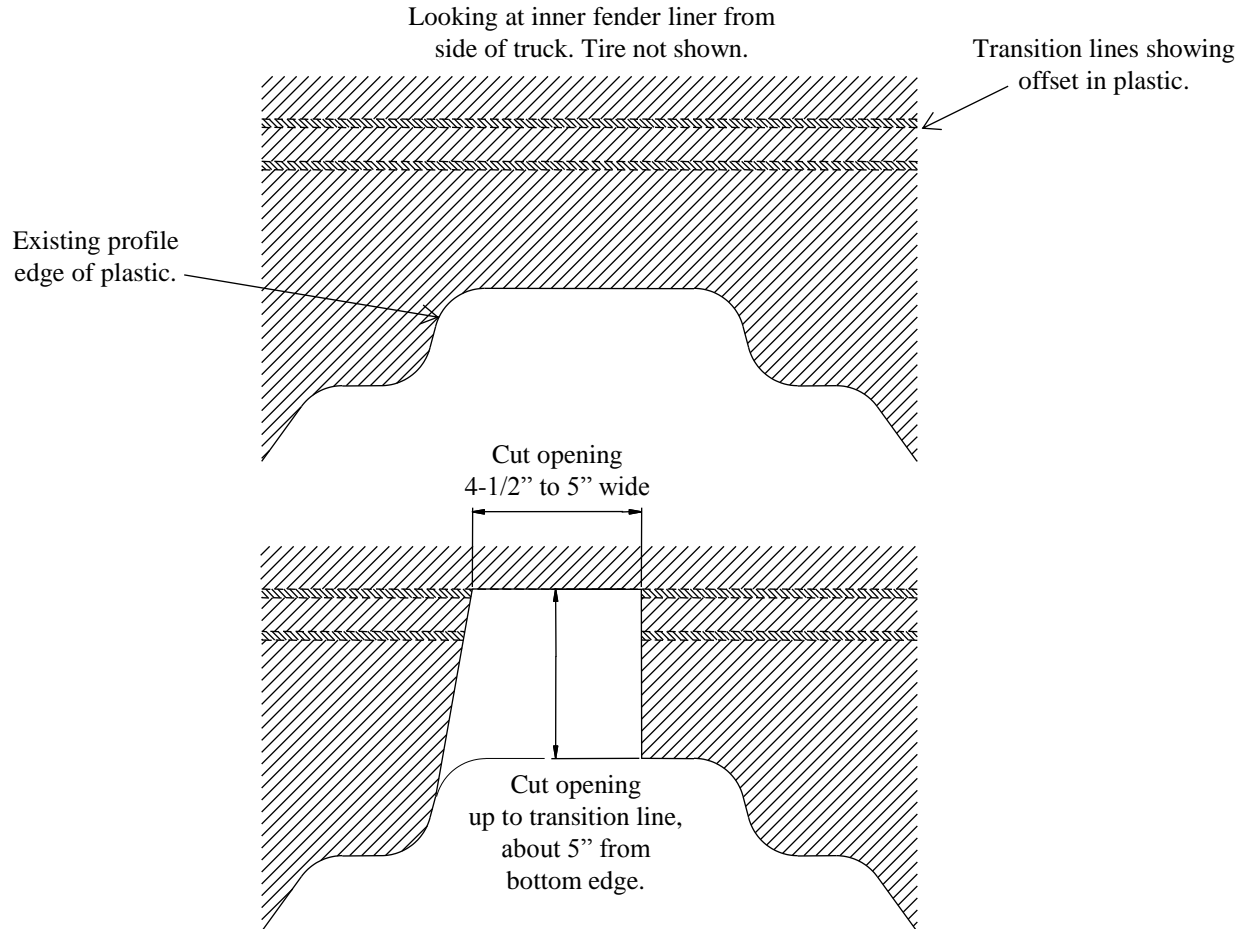
Short & Long Bed

Part Numbers:

4446

### Trimming of plastic inner fender liner

**Note!** Ask truck owner what option they would like done on their truck before cutting liner. Shown below is one option for trimming fender liner. Fender liners are removed by taking off (11) screws holding liner to wheel well.



# Installation Instructions

## GOOSENECK MOUNTING KIT

Dodge Ram 1500  
Short & Long Bed

**Part Numbers:**

**4446**

**Equipment Required:**

**Fastener Kit:** 4446F

**Wrenches:** 8mm, 13mm, 3/4, 15/16

**Drill Bits:** 1/8", 5/8"

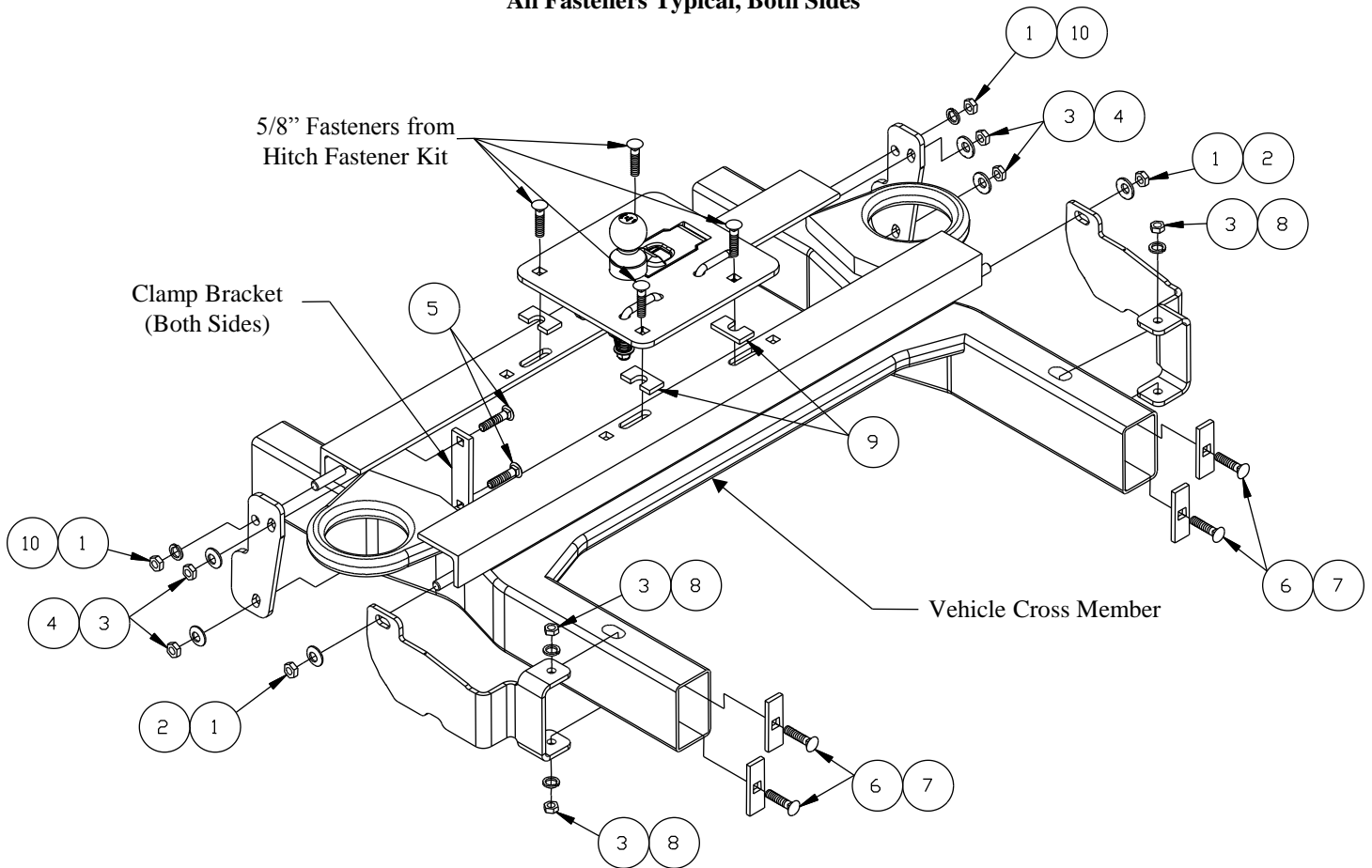
**Other Tools:** Drill, Reciprocating saw, File

**WARNING:** Under no circumstances do we recommend exceeding the towing vehicle manufacturers recommended vehicle towing capacity.

**Vehicle Forward**

### 6300/8339 GOOSENECK HITCH INSTALLATION

All Fasteners Typical, Both Sides



**Figure 1**

<b>1</b>	Qty. (4)	Hex Nut, 5/8-11	<b>6</b>	Qty. (4)	Carriage Bolt, 1/2-13 X 1.75
<b>2</b>	Qty. (2)	Conical Toothed Washer, 5/8"	<b>7</b>	Qty. (4)	Block, 1/4 X 1.00 X 2.00
<b>3</b>	Qty. (8)	Hex Nut, 1/2-13	<b>8</b>	Qty. (4)	Lock Washer, 1/2"
<b>4</b>	Qty. (4)	Conical Toothed Washer, 1/2"	<b>9</b>	Qty. (4)	Shims, 1/4 X 1.00 X 2.00
<b>5</b>	Qty. (4)	Carriage Bolt, 1/2-13 X 5.50	<b>10</b>	Qty. (2)	Lock Washer, 5/8"

# Installation Instructions

## GOOSENECK MOUNTING KIT

Dodge Ram 1500

Short & Long Bed

### 6300/8339 GOOSENECK HITCH INSTALLATION

Part Numbers:

4446

#### NOTES:

- This rail kit can be used with a 6300, 8339, head only.
- Always make sure the ball is fully locked before towing.
- Keep the ball and ball pocket well lubricated.
- Periodically re-torque all the hitch fasteners.
- Check ball, hitch coupler, safety chains and other connections for proper operation every time you tow.

#### Warning:

- ❖ The tow vehicle manufacturers recommended towing capacities should **UNDER NO CIRCUMSTANCES** be exceeded.
- ❖ Check for adequate clearance between the gooseneck trailer and the rear of the cab and the rear of the truck box before installing hitch.
- ❖ All trucks have fuel lines, brake lines and electrical wiring located along the vehicle frame where the rail kit installs. Carefully examine the location of fuel lines, brake lines and electrical wires before installation and be certain not to damage these when positioning the hitch components. Be careful when drilling holes, cutting sheet metal and tightening fasteners as to not limit the integrity of these systems.

#### Installation Instructions

1. Remove plastic inner fender liners on both sides of truck to get access to frame. Liners can either be left off or modified and reassembled on truck later on. Ask truck owner what they want done.
2. From underneath the vehicle, remove the clips on the vapor tube and wiring harness, attached to the vehicle rearward cross member. These will need to be removed to allow the rearward rail to slide into position between the vehicle bed and frame rails. Also on dual exhaust trucks the hanger mounted to the top of the cross member that interferes with the rear cross rail will have to be removed. Remove bolt and slide hanger out of rubber isolator.
3. **Positioning the cross members by notching the bed seam:** Using a saber saw, cut a notch in the bed seam on the passenger's side of the vehicle, between the vehicle frame and the bed as shown in Figure 2. Slide the forward cross member through the notch and above both frame rails. Slide the rearward cross member through the notch cut in the bed seam and above both frame rails.

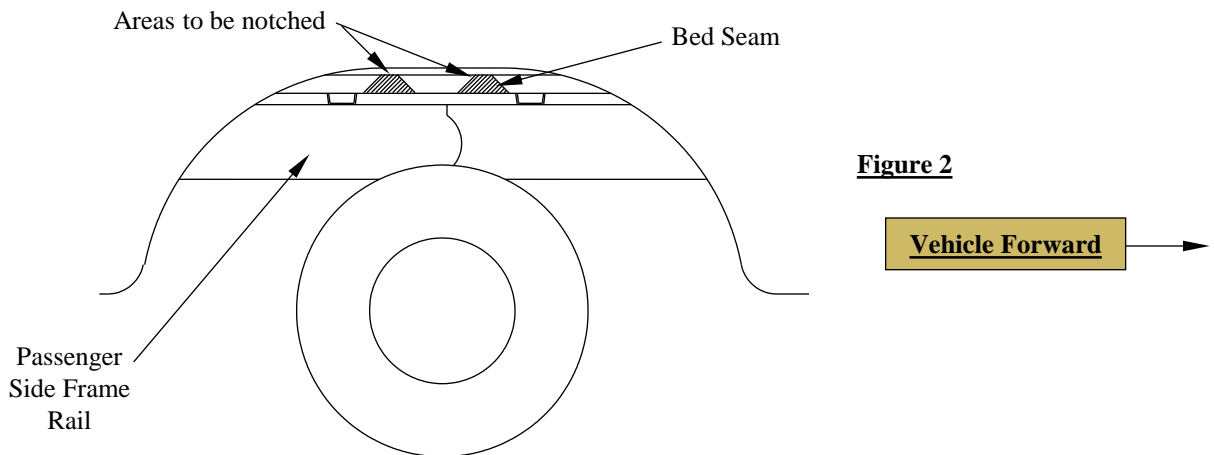


Figure 2

4. Position the rearward mounting kit brackets by aligning the slot in the brackets with the threaded studs on the ends of the rearward rail and the slots on the top and bottom of the vehicle frame rail.
5. Loosely install the 5/8 hex nut and conical toothed washer attaching the brackets to the rail.
6. Fish wire the 1/2-13 X 1.75 carriage bolts and 1/4 X 1.00 X 3.00 blocks through the holes in the frame, and through the holes in the brackets. Loosely install the 1/2 hex nuts and lock washers.
7. Install the forward mounting kit brackets by aligning the hole in the brackets with the threaded studs on the ends of the rail. Loosely install the 5/8 hex nut and conical toothed washer attaching the brackets to the rail.
8. Loosely install the clamp brackets using the 1/2-13 X 5.50 carriage bolts, conical toothed washers and hex nuts.

# Installation Instructions

Part Numbers:

## GOOSENECK MOUNTING KIT

4446

Dodge Ram 1500

Short & Long Bed

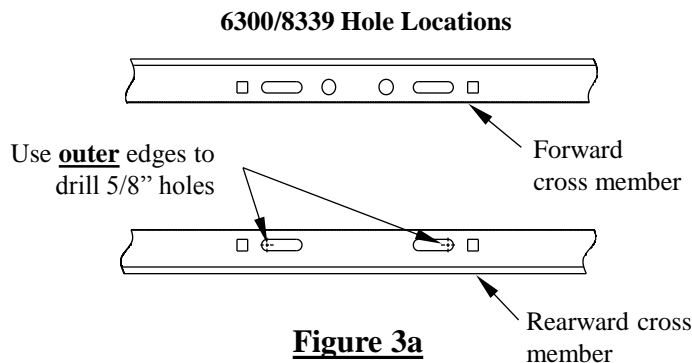
### 6300/8339 GOOSENECK HITCH INSTALLATION

9. With the cross members and side brackets installed, torque the 5/8-11 GR5 fasteners that attach the rearward cross member to the brackets to 150 ft.-lb (203 Nm) and the 1/2-13 GR5 fasteners that attach the rearward bracket to the frame to 75 ft.-lb. (102 N-m). The forward cross member should be left loose until Step 18.

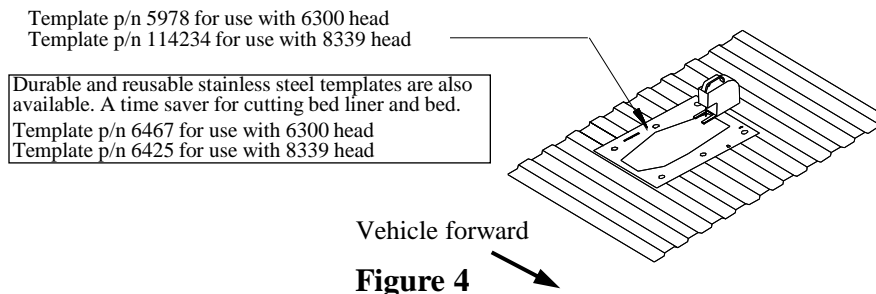


**WARNING** The fuel tank and/or other vehicle components may be located below some of the holes. A wood or metal shield must be placed between the frame and the fuel tank or other critical components to prevent damage when the drill breaks through the bed.

10. **For 6300 & 8339** use the **outer** edges of the long slots in the rearward cross member as a template to drill 5/8" diameter holes through the truck bed as shown in Figure 3a. Not all holes can be drilled from under the vehicle, but should be done later from inside the bed.



11. Align the holes on the template (provided with the gooseneck hitch) with the holes previously drilled through the bed. Be sure that the template is properly oriented toward the front of the vehicle. Center punch the holes that will be used to cut the opening in the bed. See Figure 4. If the vehicle is equipped with a bed liner, a section of the bed liner must be cut away so that the gooseneck hitch can contact the bed corrugations.



12. Drill 1/4" pilot holes (size will depend on width of blade in saber saw).
13. Cut out the truck bed and file edges as needed.

# Installation Instructions

## GOOSENECK MOUNTING KIT

Dodge Ram 1500

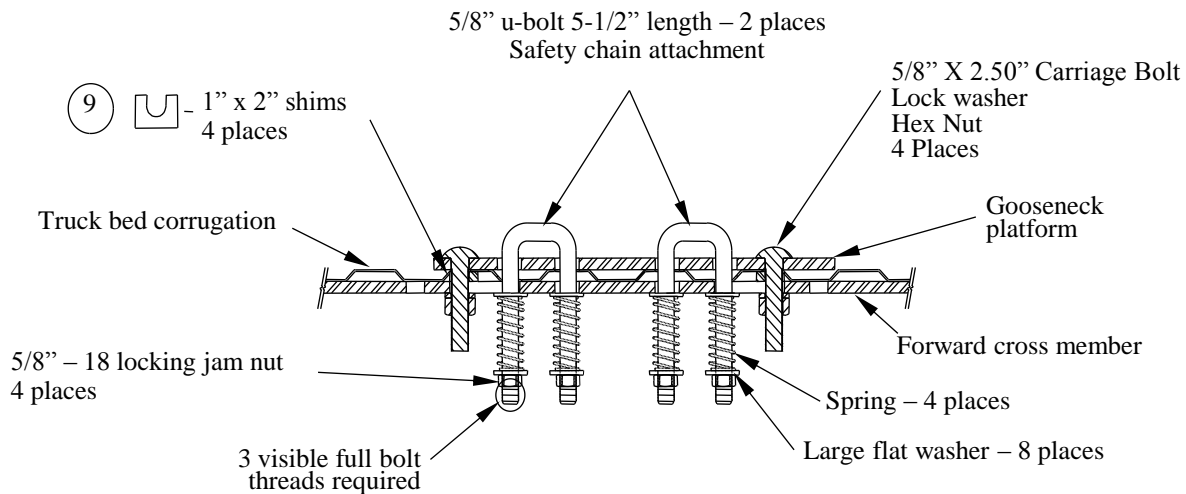
Short & Long Bed

### 6300/8339 GOOSENECK HITCH INSTALLATION

Part Numbers:

4446

14. Install the hitch into the opening.
15. Use the installed hitch as a guide to drill the forward 5/8" diameter holes mounting holes. Also drill the 5/8" diameter U-Bolt holes if installing a 6300 or 8339 gooseneck hitch.



**Figure 5**

16. Before installing the 5/8" carriage bolts through the hitch, the U-block shims must be placed between the hitch and the bed and between the cross members and the bottom of the bed (see Figure 5). These shims are necessary to prevent the bed corrugations from collapsing when the bolts are tightened.
17. Install the 5/8 X 2.50 GR5 carriage bolts through the hitch, shims and cross members. Secure with lock washers and nuts. Torque nuts to 150 ft.-lb. (203 N-m).
18. **For 6300 and 8339 Installations:** Install the (2) U-Bolts through the hitch and from under the vehicle install the large flat washer over the U-Bolt followed by a spring, another large flat washer and secure with a thin 5/8" jam nut. Repeat for the other legs of the U-Bolts. The 5/8" jam nuts are tightened until (3) threads are visible past the bottom of the jam nut.
19. Torque the 5/8-11 GR5 fasteners that attach the threaded studs on forward rail to the frame brackets to 150 ft.-lb. (203 N-m). Torque the 1/2-13 GR5 fasteners that attach the clamp brackets and frame brackets to the vehicle frame to 75 ft.-lb. (102 N-m).
20. Re-attach the wiring harness and vapor tube to the vehicle cross member. Also inner fender liners if truck owner chooses.



**LIMITED LIFETIME WARRANTY**

Part No: \_\_\_\_\_

Date of Original Purchase: \_\_\_\_\_

Original Owner: \_\_\_\_\_

Original Installer: \_\_\_\_\_

1. Limited Lifetime Warranty ("Warranty"). Cequent Performance Products, Inc. ("We" or "Us") warrants to the original consumer purchaser only ("You") that the product will be free from material defects in both material and workmanship, ordinary wear and tear excepted; provided that installation and use of the product is in accordance with product instructions. There are no other warranties, express or implied, including the warranty of merchantability or fitness for a particular purpose. This warranty is not transferable.

2. Limitations on the Warranty. This Warranty does not cover: (a) normal wear and tear; (b) damage through abuse, neglect, misuse, or as a result of any accident or in any other manner; (c) damage from misapplication, overloading, or improper installation; (d) improper maintenance and repair; and (e) product alteration in any manner by anyone other than Us, with the sole exception of alterations made pursuant to product instructions and in a workmanlike manner.

3. Obligations of Purchaser. To make a Warranty claim, contact Us, at our principal address of 47912 Halyard Dr. Suite 100, Plymouth, MI 48170, 1-888-521-0510, identify the product by model number, and follow the claim instructions that will be provided. Any returned product that is replaced by Us becomes our property. You will be responsible for return shipping costs. Please retain your purchase receipt to verify date of purchase and that You are the original consumer purchaser. The product and the purchase receipt must be provided to Us in order to process Your Warranty claim.

4. Remedy Limits. Product replacement is Your sole remedy under this Warranty. We shall not be liable for service or labor charges incurred in removing or replacing a product or any incidental or consequential damages of any kind.

5. Assumption of Risk. You acknowledge and agree that any use of the product for any purpose other than the specified use(s) stated in the product instructions is at Your own risk.

6. Governing Law. This Warranty gives You specific legal rights, and You also may have other rights which vary from state to state. This Warranty is governed by the laws of the State of Michigan, without regard to rules pertaining to conflicts of law. The state courts located in Oakland County, Michigan shall have exclusive jurisdiction for any disputes relating to this Warranty.