

INSTALLATION INSTRUCTIONS

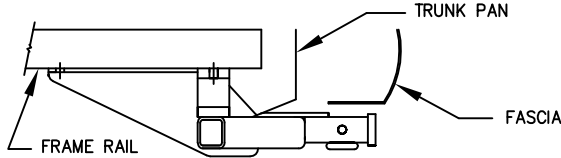
| VEHICLE | HITCH NO. |
|----------|----------------|
| SAAB 9-5 | 36286 06136 |

EQUIPMENT REQUIRED:

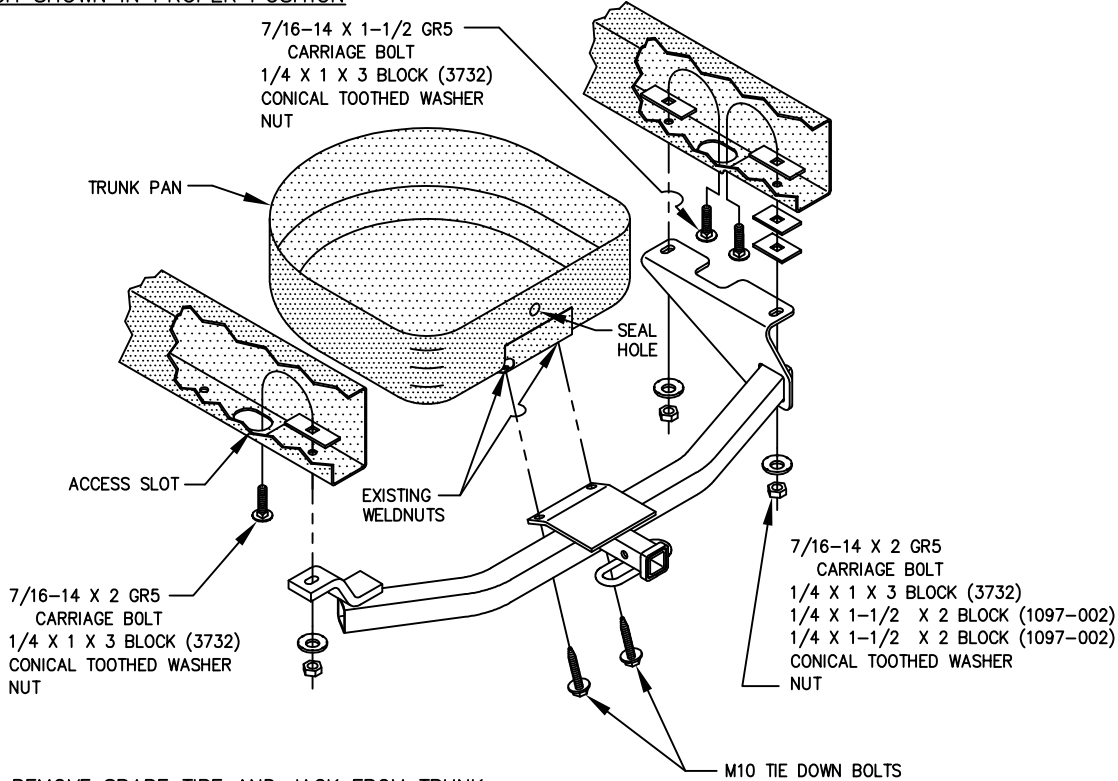
DRILL BITS:

WRENCHES: (TIGHTEN ALL FASTENERS WITH TORQUE WRENCH) 14mm, 17mm, 11/16

3500 LB MAX GROSS TRAILER WT
300 LB MAX TONGUE WEIGHT
DO NOT EXCEED TOWING VEHICLE RATINGS



HITCH SHOWN IN PROPER POSITION



1. REMOVE SPARE TIRE AND JACK FROM TRUNK.
2. REMOVE TIE DOWN EYE (TWO BOLTS UNDER CAR, ONE NUT IN TRUNK).
3. RAISE HITCH INTO POSITION AND LOOSELY SECURE TO VEHICLE AT TIE DOWN EYE LOCATION USING ORIGINAL M10 BOLTS.
4. INSTALL REMAINING FASTENERS AS SHOWN ABOVE AND TIGHTEN ALL FASTENERS.
5. SEAL HOLE LEFT IN TRUNK PAN BY REMOVAL OF TIE DOWN EYE TO PREVENT INTRUSION OF EXHAUST FUMES OR WATER AND RETURN TIE DOWN EYE WITH NUT TO VEHICLE OWNER.
6. RETURN JACK AND SPARE TIRE TO TRUNK.

TIGHTEN ALL M10 FASTENERS TO 42 LB-FT.
TIGHTEN ALL 7/16 FASTENERS TO 50 LB-FT.

| | |
|---|---|
| <p>DESIGNED FOR USE WITH (SOLD SEPARATELY)</p> <p>PIN 2210</p> <p>CLIP 2209</p> <p>36001 ZINC DRAWBAR</p> <p>36002 CHROME</p> | <p>DRAWBAR REPLACEMENT KIT (INCLUDES PIN & CLIP)</p> <p>36051 ZINC</p> <p>36052 CHROME</p> <p>NOTE: REPLACEMENT DRAWBAR AVAILABLE ONLY IN KIT. PINS & CLIPS AVAILABLE SEPARATELY.</p> |
|---|---|

USE ONLY THE DRAWBAR SHOWN FOR CORRECT BUMPER CLEARANCE AND HEIGHT.
REMOVE DRAWBAR WHEN NOT TOWING
TO PROTECT DRAWBAR OPENING IN HITCH WHEN NOT TOWING,
INSERT COVER #2211 (PURCHASED SEPARATELY).

THIS PRODUCT COMPLIES WITH SAFETY SPECIFICATIONS AND REQUIREMENTS FOR CONNECTING DEVICES AND TOWING SYSTEMS OF THE STATE OF NEW YORK AND V.E.S.C. REGULATION V-5.

| | | | |
|---------------------|----|------------------|--------|
| APPROX WEIGHT (LB.) | 29 | FASTENER KIT NO. | K36286 |
|---------------------|----|------------------|--------|

NOTE: Check hitch frequently, making sure all fasteners and ball are properly tightened. If hitch is removed, plug all holes in trunk pan or other body panels to prevent entry of water and exhaust fumes. A hitch or ball which has been damaged should be removed and replaced. Observe safety precautions when working beneath a vehicle and wear eye protection. Follow car maker's specs for maximum trailer weight and tongue weight. Do not cut access or attachment holes with a torch.



CEQUENT
TOWING PRODUCTS