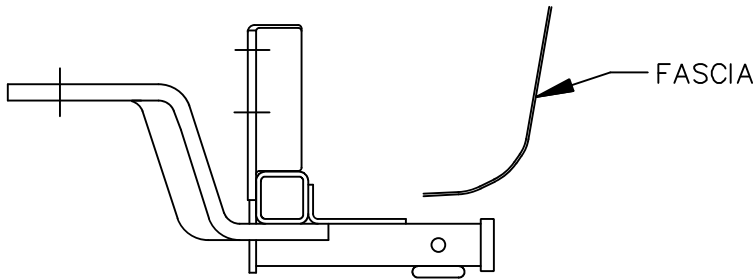


INSTALLATION INSTRUCTIONS

VEHICLE	HITCH NO.
CHEVROLET MONTE CARLO	36193
CHEVROLET LUMINA	06022
(ALL MODELS)	90040

EQUIPMENT REQUIRED: HACKSAW
 WIRING ACCESS LOCATION: PC3, PC4
 DRILL BITS: NONE
 HITCH REQUIRES 1/2" PIN AND CLIP
 WRENCHES: (TIGHTEN ALL FASTENERS WITH TORQUE WRENCH) 13mm, 3/4, 9/16

3500 LB MAX GROSS TRAILER WT
 300 LB MAX TONGUE WEIGHT
 DO NOT EXCEED TOWING VEHICLE RATINGS



HITCH SHOWN IN PROPER POSITION

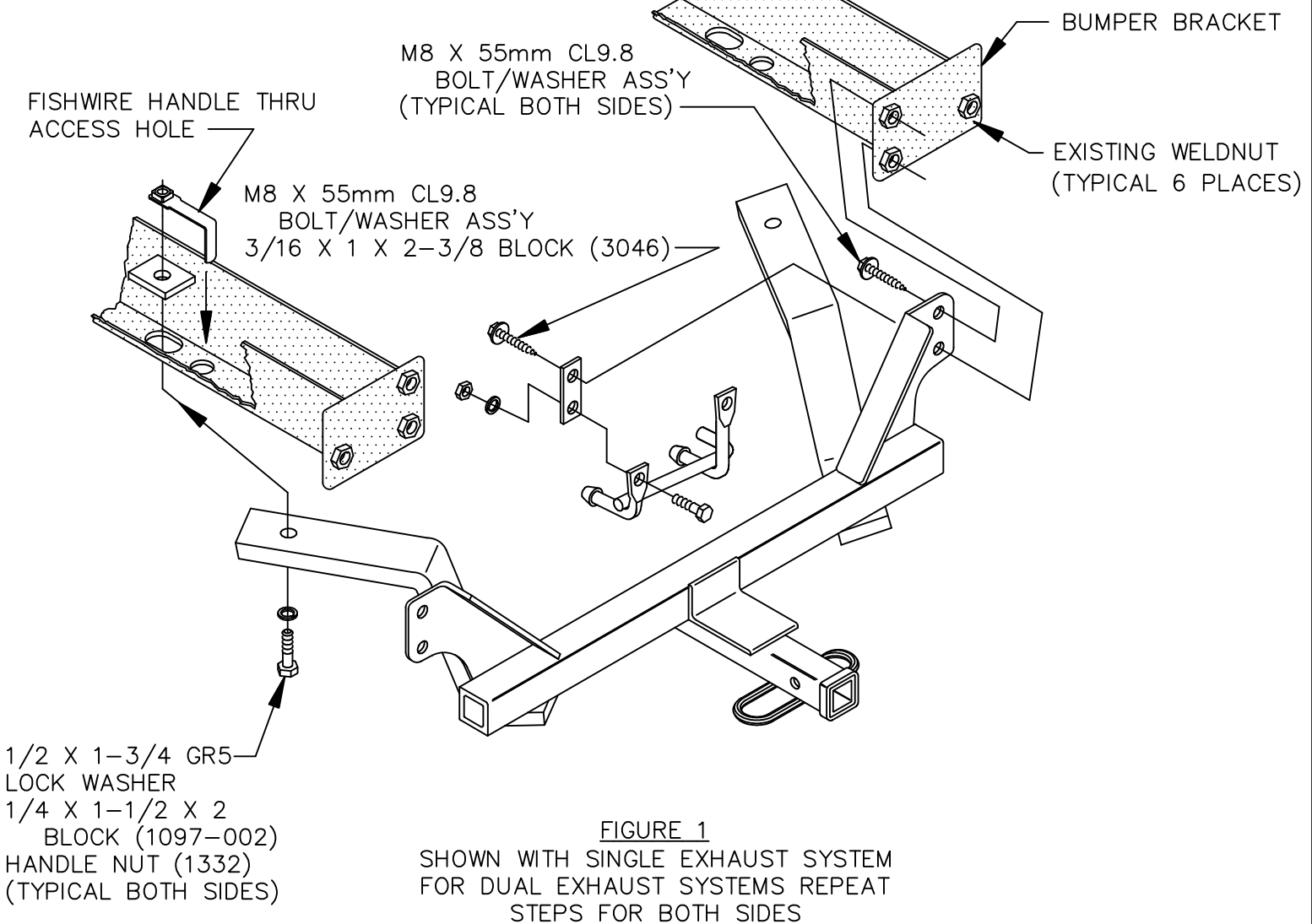


FIGURE 1
 SHOWN WITH SINGLE EXHAUST SYSTEM
 FOR DUAL EXHAUST SYSTEMS REPEAT
 STEPS FOR BOTH SIDES

THIS PRODUCT COMPLIES WITH SAFETY SPECIFICATIONS AND REQUIREMENTS FOR CONNECTING DEVICES AND TOWING SYSTEMS OF THE STATE OF NEW YORK AND V.E.S.C. REGULATION V-5.

APPROX WEIGHT (LB.)	35	FASTENER KIT NO.	1130-900
---------------------	----	------------------	----------

NOTE: Check hitch frequently, making sure all fasteners and ball are properly tightened. If hitch is removed, plug all holes in trunk pan or other body panels to prevent entry of water and exhaust fumes. A hitch or ball which has been damaged should be removed and replaced. Observe safety precautions when working beneath a vehicle and wear eye protection. Follow car maker's specs for maximum trailer weight and tongue weight. Do not cut access or attachment holes with a torch.

Cequent Performance Products
 Plymouth, Michigan
 PRINTED IN MEXICO

INSTALLATION INSTRUCTIONS

VEHICLE

HITCH NO.

CHEVROLET MONTE CARLO
 CHEVROLET LUMINA
 (ALL MODELS)

36193
 06022
 90040

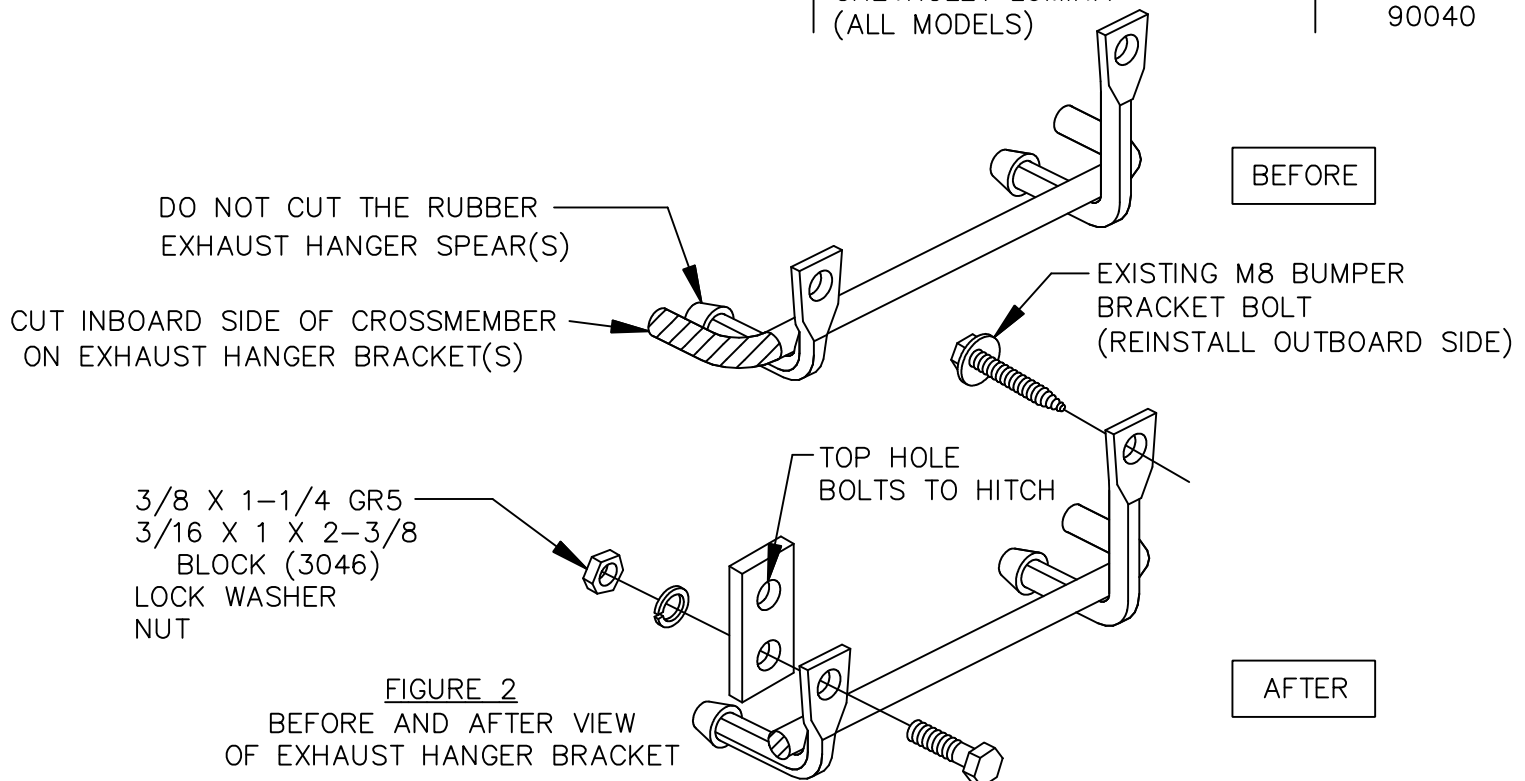


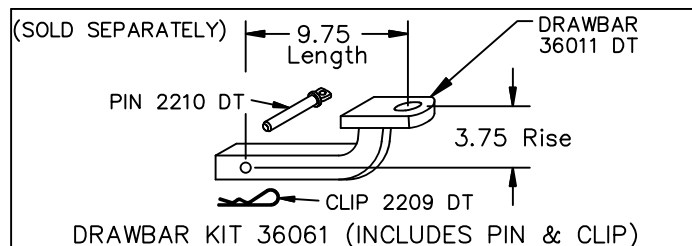
FIGURE 2

BEFORE AND AFTER VIEW
 OF EXHAUST HANGER BRACKET

NOTE: FOR DUAL EXHAUST SYSTEMS REPEAT STEPS FOR BOTH SIDES.

1. LOWER THE EXHAUST SYSTEM(S) BY UNBOLTING THE M8 EXHAUST HANGER/BUMPER BRACKET BOLTS
NOTE: MAKE SURE TO SUPPORT THE BUMPER, & DO NOT REMOVE INBOARD TOP M8 BOLTS AT THIS TIME.
2. LOOSELY REINSTALL ONLY THE EXISTING M8 BOLT(S) THRU THE OUTBOARD WELDNUT(S).
3. REMOVE THE REMAINING INBOARD M8 BUMPER BRACKET BOLTS, AND DISCARD THE FOUR EXISTING M8 BOLTS.
4. FISHWIRE 1/2" HANDLE NUTS (1332) AND BLOCKS (1097-002) THRU LARGE SLOTS AS SHOWN FIGURE 1.
5. RAISE HITCH INTO POSITION AND LOOSELY INSTALL M8 FASTENERS PROVIDED, THRU BLOCKS (3046), HITCH, AND BUMPER BRACKET(S), INTO THE EXISTING WELDNUT, AS SHOWN IN FIGURE 1.
- NOTE:** BE CAREFUL NOT TO MOVE HANDLE NUT AND BLOCK.
6. INSTALL 1/2" FASTENERS THRU THE HITCH AND FRAME RAILS INTO THE HANDLE NUTS, AS SHOWN FIGURE 1.
7. DISCONNECT HANGER BRACKET(S) FROM EXHAUST SYSTEM(S), MODIFY EXHAUST HANGER BRACKET(S) AS SHOWN IN FIGURE 2.
8. REINSTALL EXHAUST SYSTEM(S) TO HANGER BRACKETS.
9. INSTALL EXHAUST HANGER FASTENERS AS SHOWN IN FIGURES 1 & 2.

TIGHTEN 1/2 GR5 FASTENERS TO 75 LB.-FT.
 TIGHTEN 3/8 GR5 FASTENERS TO 31 LB.-FT.
 TIGHTEN M8 CL9.8 FASTENERS TO 25 LB.-FT.



USE ONLY THE DRAWBAR SHOWN FOR CORRECT BUMPER CLEARANCE AND HEIGHT.
 DRAWBAR MUST BE USED IN THE RISE POSITION ONLY.

THIS PRODUCT COMPLIES WITH SAFETY SPECIFICATIONS AND REQUIREMENTS FOR CONNECTING DEVICES AND TOWING SYSTEMS OF THE STATE OF NEW YORK AND V.E.S.C. REGULATION V-5.

APPROX WEIGHT (LB.)

FASTENER KIT NO.

NOTE: Check hitch frequently, making sure all fasteners and ball are properly tightened. If hitch is removed, plug all holes in trunk pan or other body panels to prevent entry of water and exhaust fumes. A hitch or ball which has been damaged should be removed and replaced. Observe safety precautions when working beneath a vehicle and wear eye protection. Follow car maker's specs for maximum trailer weight and tongue weight. Do not cut access or attachment holes with a torch.

Cequent Performance Products
 Plymouth, Michigan

PRINTED IN MEXICO